



# T&S BRASS AND BRONZE WORKS, INC.

2 Saddleback Cove / P.O. Box 1088  
Travelers Rest, SC 29690



REG. #A2601  
ISO #9001

Model No.

**014930-45**

Item No.

Travelers Rest, SC: 800-476-4103 Simi Valley, CA: 800-423-0150 Fax: 864-834-3518 www.tsbrass.com

This Space for Architect/Engineer Approval

Job Name \_\_\_\_\_ Date \_\_\_\_\_

Model Specified \_\_\_\_\_ Quantity \_\_\_\_\_

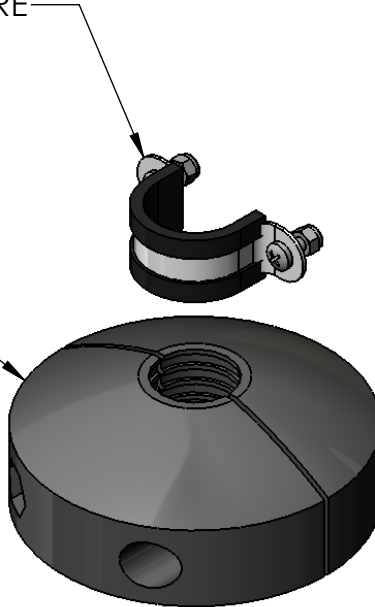
Customer/Wholesaler \_\_\_\_\_

Contractor \_\_\_\_\_

Architect/Engineer \_\_\_\_\_

3/4" I.D.  
HOSE CLAMP  
w/HARDWARE

3/4" I.D. RUBBER  
HOSE STOP  
w/HARDWARE



Product Specifications:

**3/4" HOSE STOP  
REPAIR KIT**

Drawn  
**JRM**

Checked  
**DHL**

Approved  
**JHB**

Scale:

**1:2**

Date:

**2/25/08**