



# Single Lever Faucets

## B-2711-F12

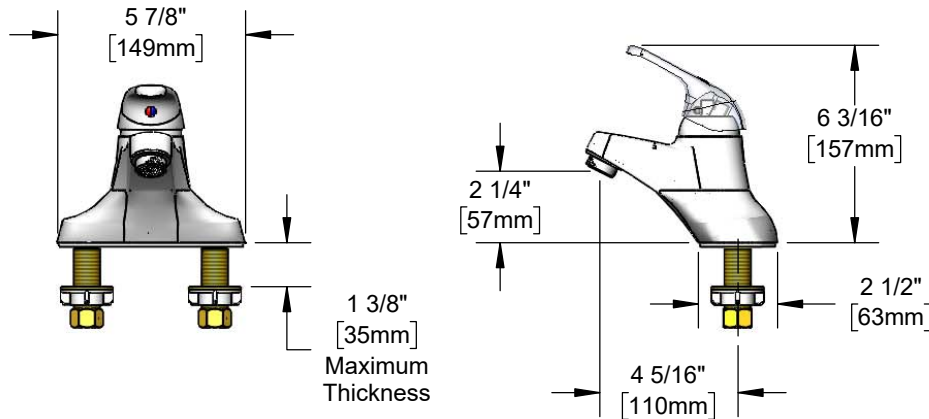
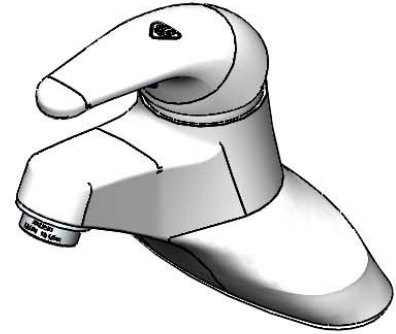
TAG:

### 4" Centerset Single Lever Faucet

#### Architect/Engineering Specifications:

4" centerset, deck mount lavatory single lever faucet, polished chrome brass body with integral spout, 1.2 GPM aerator, ceramic cartridge with adjustable temperature limit stop, single lever short handle and 1/2" NPSM male inlets with coupling nuts. Certified to ASME A112.18.1/CSA B125.1, NSF 61-Section 9, NSF 372 and EPA WaterSense. Meets ADA ANSI/ICC A117.1 requirements.

Job Name \_\_\_\_\_  
 Model Specified \_\_\_\_\_ Quantity \_\_\_\_\_  
 Variations Specified \_\_\_\_\_  
 Date \_\_\_\_\_



#### Features & Benefits:

- 4" centerset, deck mount lavatory single lever faucet
- Polished chrome brass body with integral spout
- 1.2 GPM aerator, Series 4 (B-0199-04-F12)
- Single lever short handle with color coded index
- Ceramic cartridges with adjustable temperature limit stop
- 1/2" NPSM male inlets with coupling nuts
- Mounting hardware and deck gasket
- Material: Polished chrome plated brass body, chrome plated metal handle

#### Product Compliance:

- ASME A112.18.1 / CSA B125.1
- NSF 61 - Section 9
- NSF 372 (Low Lead Content)
- ANSI A117.1 (ADA)
- EPA WaterSense

#### Warranty: One Year (Limited)

- Ceramic Cartridge: Two Year (Limited)

#### Performance Data:

- Pressure: 20 - 125 psi
- Temperature: 40 °F - 140 °F
- Flow Rate: 1.2 GPM @ 60 psi



ADA Compliant



#### Optional Outlets (Series 4 / VR Series 9)

| GPM  | Aerated                               | Non-Aerated (Laminar)                   | VR Aerated                             | VR Non-Aerated (VR Laminar)             |
|------|---------------------------------------|---|--|---|
| 0.35 | N/A                                   | <input type="checkbox"/> B-0199-04-N035 | N/A                                    | <input type="checkbox"/> B-0199-09-N035 |
| 0.5  | N/A                                   | <input type="checkbox"/> B-0199-04-N05  | N/A                                    | <input type="checkbox"/> B-0199-09-N05  |
| 1.0  | N/A                                   | N/A                                     | N/A                                    | <input type="checkbox"/> B-0199-09-LF10 |
| 1.2  | Standard                              | N/A                                     | <input type="checkbox"/> B-0199-09-F12 | N/A                                     |
| 1.5  | <input type="checkbox"/> B-0199-04-WS | N/A                                     | <input type="checkbox"/> B-0199-09-WS  | <input type="checkbox"/> B-0199-09-LF15 |
| 2.2  | <input type="checkbox"/> B-0199-04    | <input type="checkbox"/> B-0199-25      | <input type="checkbox"/> B-0199-09     | <input type="checkbox"/> B-0199-27      |



T&S BRASS AND BRONZE WORKS, INC.



• 2 Saddleback Cove • Travelers Rest, SC 29690  
 Ph 800-476-4103 • Fax 864-834-3518  
 • Simi Valley, CA • Ph 800-423-0150 • www.tsbrass.com

Date: 10/10/19