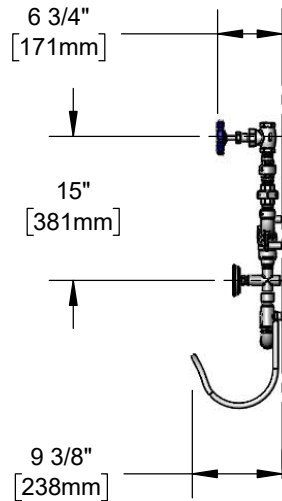
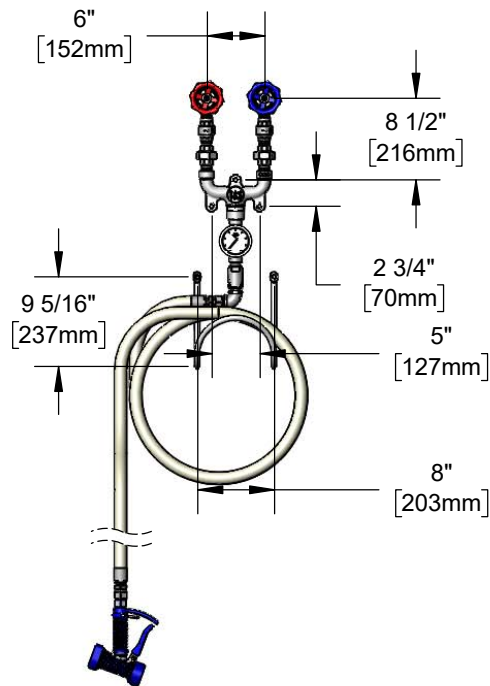




Architect/Engineering Specifications:

Chrome plated washdown station with 3/4" mixing valve, 3/4" NPT inlets, thermometer, 50' creamery hose with water gun & hose rack.

Job Name _____
 Model Specified _____ Quantity _____
 Variations Specified _____
 Date _____



Features & Benefits:

- Chrome plated washdown station
- Front trigger stainless steel water gun w/ rubber cover and 7/16" orifice
- Chrome plated brass thermometer tee
- Stainless steel thermometer, temperature range 0 °F - 200 °F
- 3/4" I.D. x 50' creamery hose w/ inlet swivel
- Stainless steel hose rack w/ mounting hardware
- Material: Chrome plated brass tee, stainless steel thermometer, water gun and rubber hose

Product Compliance:

- NSF 61 Exempt (Non-Potable)

Warranty: One Year (Limited)

Performance Data:

- Pressure: 20 - 125 psi [1.38 - 8.62 bar]
- Temperature: 40 °F - 200 °F [4.44 °C - 93.3 °C]
- Flow Rate: 10.60 GPM [40.1 L/min] @ 60 psi [4.14 bar]

