



Architect/Engineering Specifications:

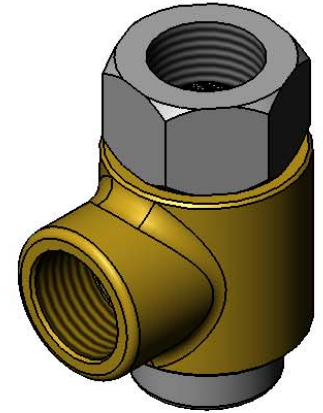
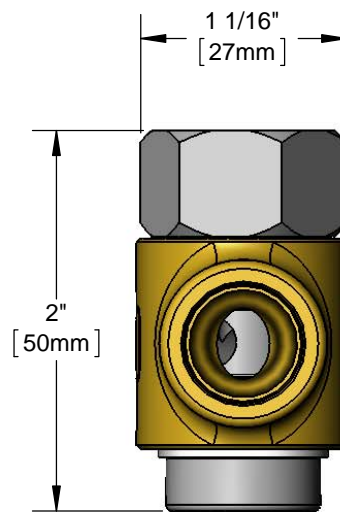
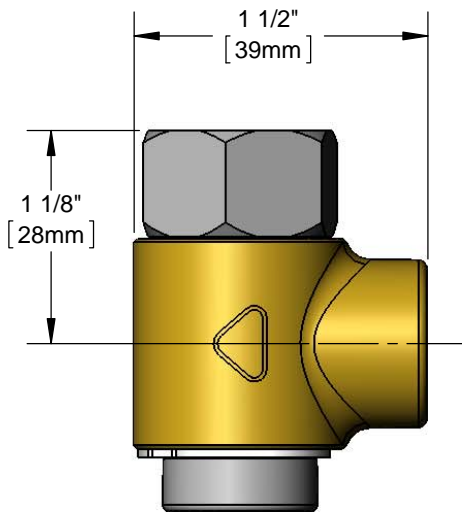
3/8" NPT hose reel swivel kit. Fits 12' through 35' hose reels.

Job Name _____

Model Specified _____ Quantity _____

Variations Specified _____

Date _____



Features & Benefits:

- 3/8" NPT hose reel swivel kit
- Fits 12' through 35' hose reels
- Material: Brass and stainless steel

Product Compliance:

- N/A

Warranty: One Year (Limited)

Performance Data:

- N/A

