



**T&S BRASS AND BRONZE WORKS, INC.**  
 2 Saddleback Cove / P.O. Box 1088  
 Travelers Rest, SC 29690

Model No.  
**000554-25**

Item No.

Travelers Rest, SC: 800-476-4103 • Simi Valley, CA: 800-423-0150 • Fax: 864-834-3518 • www.tsbrass.com

This Space for Architect/Engineer Approval

Job Name \_\_\_\_\_ Date \_\_\_\_\_

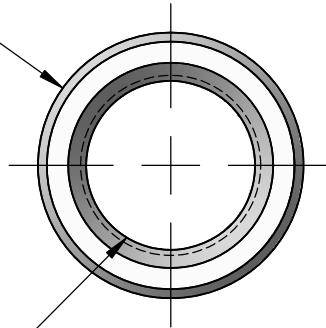
Model Specified \_\_\_\_\_ Quantity \_\_\_\_\_

Customer/Wholesaler \_\_\_\_\_

Contractor \_\_\_\_\_

Architect/Engineer \_\_\_\_\_

$\phi$  15/16"  
 [23mm]

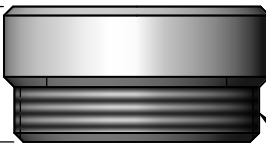


5/8-27 Female Thread



Finish: Rough Chrome

1/2"  
 [12mm]



55/64-27 Male Thread

Product Specifications:  
 Adapter, 55/64-27 UN Male x 5/8-27 UN Female

Product Compliance:  
 NSF 61 - Section 9  
 NSF 372 (Low Lead Content)