



Single Sill Faucets

B-0737

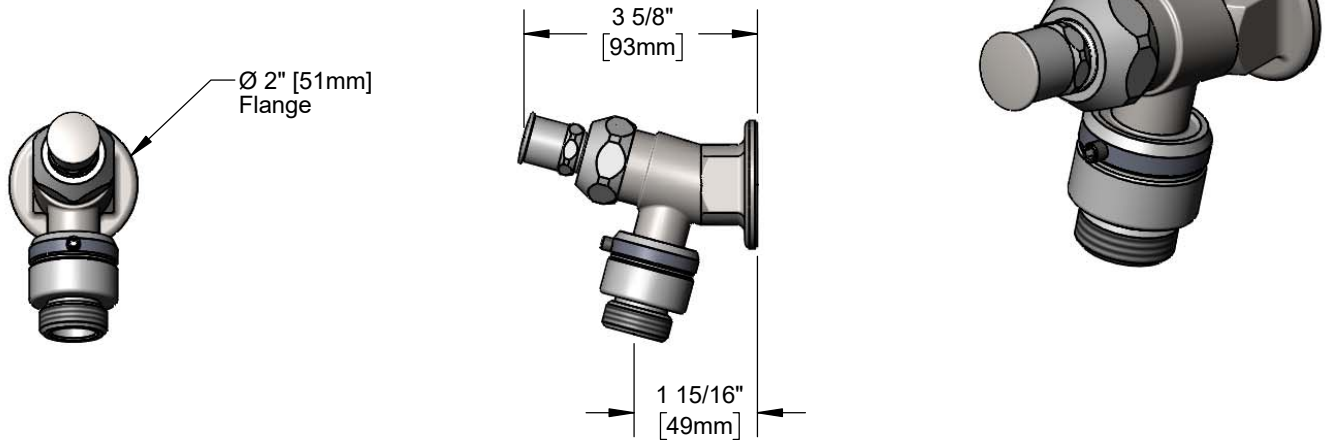
TAG:

Single Sill with Vacuum Breaker

Architect/Engineering Specifications:

Single hole, single temperature wall mount faucet with polished chrome plated brass body, loose key stop, compression cartridge with spring check, vacuum breaker with 3/4" garden hose male outlet and 3/4" NPT female inlet. Certified to ASME A112.18.1/CSA B125.1, NSF 61-Section 9 and NSF 372.

Job Name _____
 Model Specified _____ Quantity _____
 Variations Specified _____
 Date _____



Features & Benefits:

- Single hole, single temperature wall mount faucet with polished chrome plated brass body
- Key or screwdriver controlled by tee handle
- Vacuum breaker w/ male garden hose outlet
- Loose key or screwdriver controlled handle
- 3/4" NPT female inlet with Ø 2" flange
- Eterna compression cartridge w/ spring check
- Material: Polished chrome plated brass body

Product Compliance:

- ASME A112.18.1 / CSA B125.1
- NSF 61 Exempt (Non-Potable)
- NSF 372 (Low Lead Content)
- ASSE 1011 (VB)



Warranty: One Year (Limited)

Performance Data:

- Pressure: 20 - 125 psi [1.38 - 8.62 bar]
- Temperature: 40 °F - 140 °F [4.44 °C - 60 °C]
- Flow Rate: 9.10 GPM [34.45 L/min] @ 60 psi [4.14 bar]

Optional Handles

- 4" Wrist Action
- Lever
- 4-Arm

Optional Cartridges

- Quarter-Turn Cerama w/ Check Valve
- Quarter-Turn Eterna w/ Spring Check



T&S BRASS AND BRONZE WORKS, INC.



• 2 Saddleback Cove • Travelers Rest, SC 29690
 Ph 800-476-4103 • Fax 864-834-3518
 • Simi Valley, CA • Ph 800-423-0150 • www.tsbrass.com

Date: 01/11/23