



T&S BRASS AND BRONZE WORKS, INC.

2 Saddleback Cove / P.O. Box 1088
Travelers Rest, SC 29690

Model No.

BL-9515-01

Item No.

Travelers Rest, SC: 800-476-4103 • Simi Valley, CA: 800-423-0150 • Fax: 864-834-3518 • www.tsbrass.com



ADA Compliant

This Space for Architect/Engineer Approval

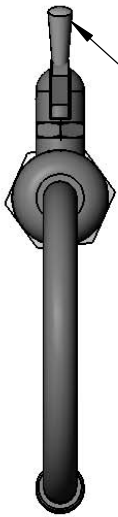
Job Name _____ Date _____

Model Specified _____ Quantity _____

Customer/Wholesaler _____

Contractor _____

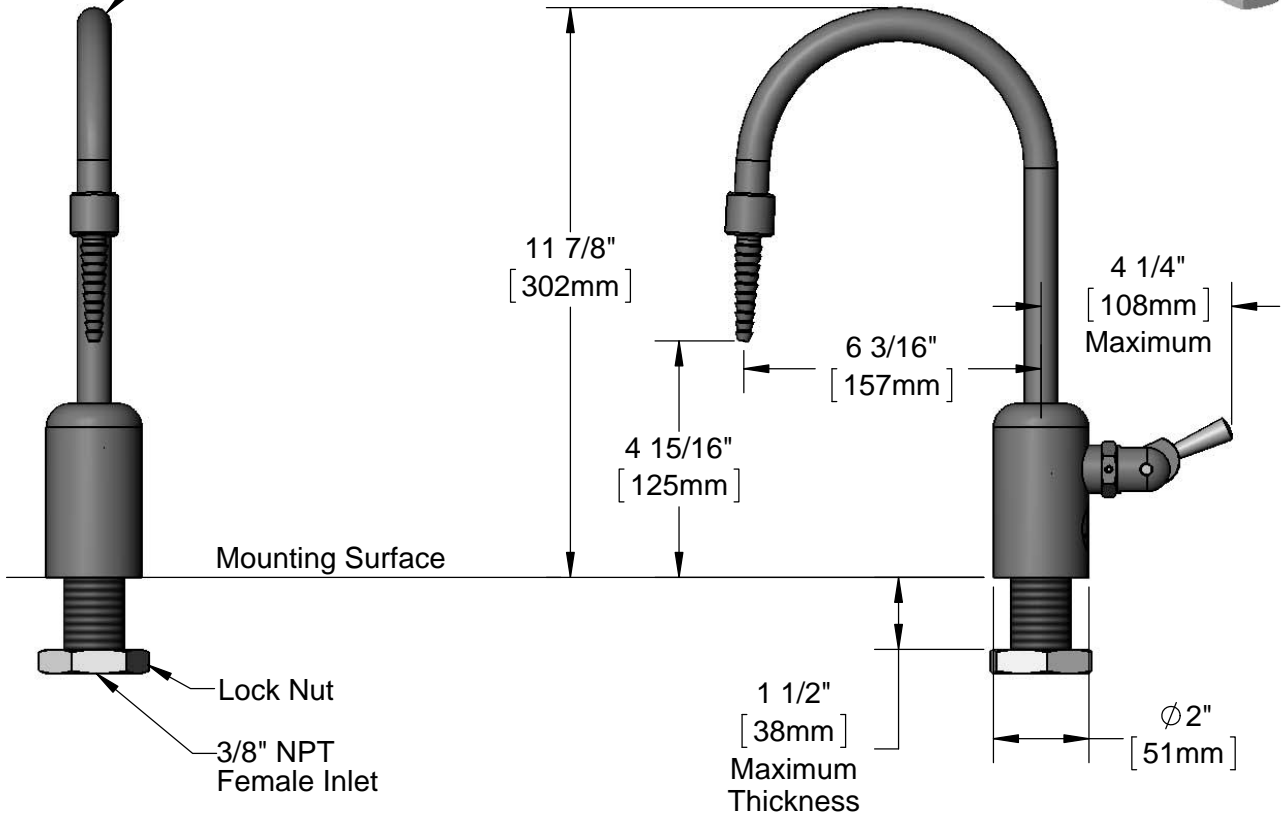
Architect/Engineer _____



Dual Operation Handle:
Pull Handle Down for Self
Closing Feature, or Pull Up
for Manual On-Off Control
of Water Flow



Rigid Gooseneck w/
Serrated Tip Outlet



Mounting Surface

Lock Nut

3/8" NPT
Female Inlet

Rough-In Requirement:
 $\phi 1 \frac{1}{2}"$ [38mm] Mounting Hole

Product Specifications:
Gray PVC Single Deck Mount Faucet, Rigid Gooseneck, Serrated Tip Outlet & 3/8" NPT Female Inlet for Distilled or Deionized Water Applications w/ Both Manual & Self-Closing Operations

Product Compliance:
ASME A112.18.1 / CSA B125.1
NSF 61 Exempt (Non-Potable)
ANSI A117.1 (ADA)



T&S BRASS AND BRONZE WORKS, INC.
 2 Saddleback Cove / P.O. Box 1088
 Travelers Rest, SC 29690

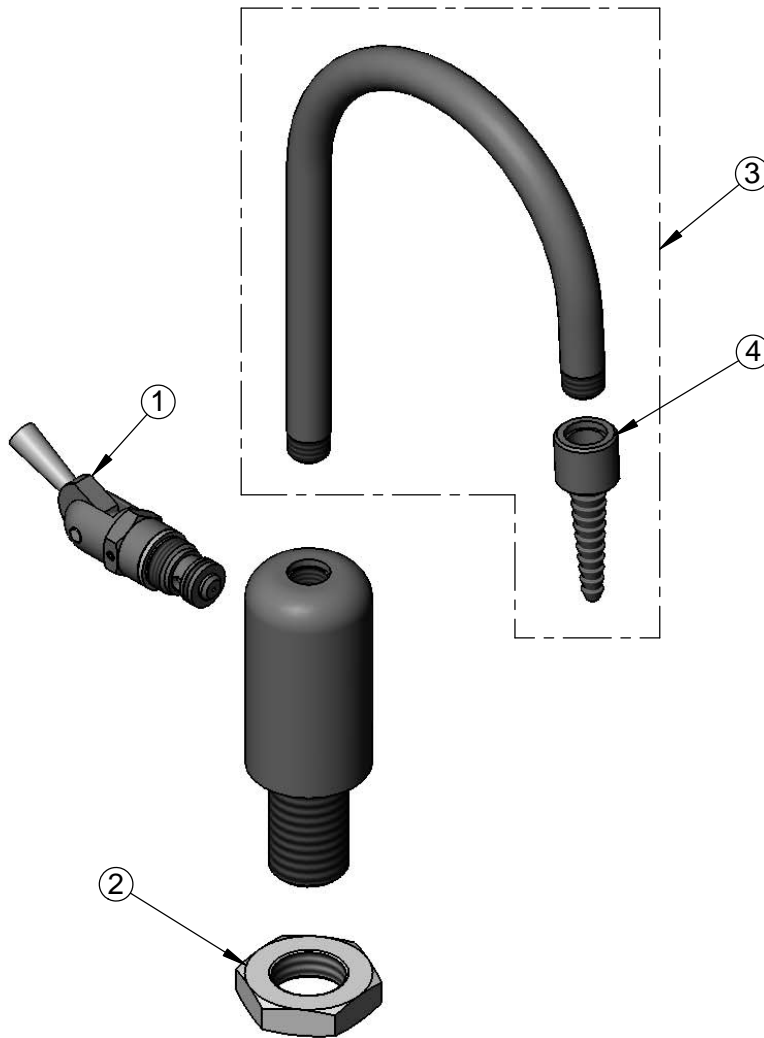
Model No.

BL-9515-01

Item No.

Travelers Rest, SC: 800-476-4103 • Simi Valley, CA: 800-423-0150 • Fax: 864-834-3518 • www.tsbrass.com

ITEM NO.	SALES NO.	DESCRIPTION
1	137A	PVC Bonnet, Self-Closing/Manual
2	000512-20	Nut, PVC Lock
3	BL-9541-02	PVC Gooseneck & Serrated Tip Outlet
4	BL-9540-10	Serrated Tip



Product Specifications:

Gray PVC Single Deck Mount Faucet, Rigid Gooseneck, Serrated Tip Outlet & 3/8" NPT Female Inlet for Distilled or Deionized Water Applications w/ Both Manual & Self-Closing Operations

Product Compliance:

ASME A112.18.1 / CSA B125.1
 NSF 61 Exempt (Non-Potable)
 ANSI A117.1 (ADA)