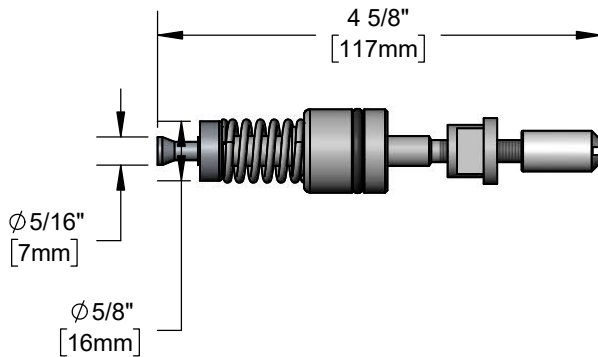
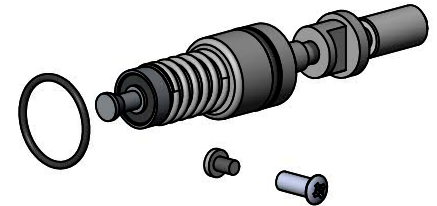




Architect/Engineering Specifications:

Rear trigger water gun repair kit. 5/16" and 7/16" orifice.

Job Name _____
 Model Specified _____ Quantity _____
 Variations Specified _____
 Date _____



Features & Benefits:

- Rear trigger water gun repair kit
- 5/16" and 7/16" orifice
- Adapter o-ring, screw and nut included
- Material: Stainless steel

Product Compliance:

- N/A

Warranty: One Year (Limited)

Performance Data:

- N/A

