



Foot And Knee Pedal Valves

B-0475-LKS

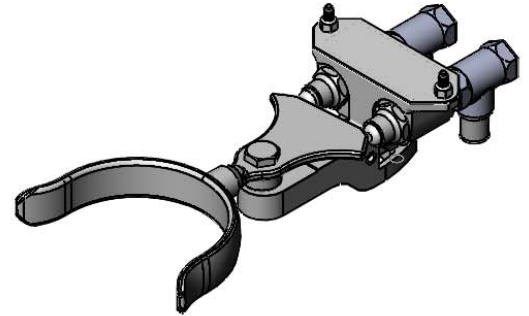
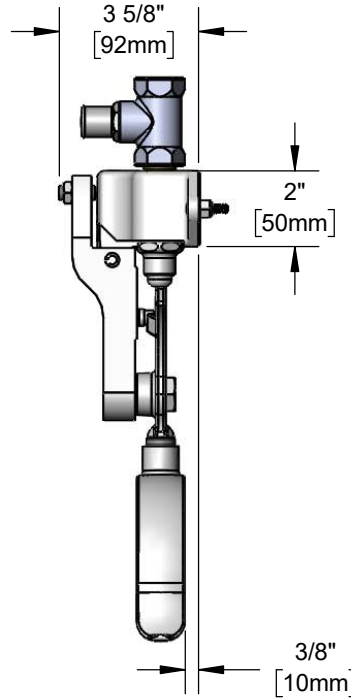
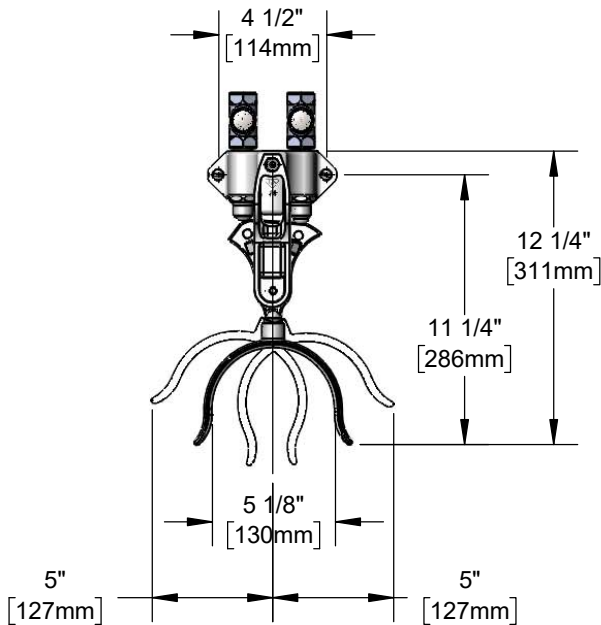
TAG:

Knee Action Valve

Architect/Engineering Specifications:

Knee action valve with polished chrome plated brass body, loose key stops, 1/2" NPT outlet, self-closing cartridges, polished chrome plated stirrup, 1/2" NPT hot and cold inlets. Certified to ASME A112.18.1/CSA B125.1, NSF 61-Section 9 and NSF 372.

Job Name _____
 Model Specified _____ Quantity _____
 Variations Specified _____
 Date _____



Features & Benefits:

- Knee action valve with polished chrome plated brass body (will remain in set position for hot, cold or mixed water)
- Loose key stops
- 1/2" NPT outlet
- Self-closing cartridges
- Polished chrome plated stirrup
- 1/2" NPT hot and cold inlets
- Material: Polished chrome plated brass body & stirrup

Product Compliance:

- ASME A112.18.1 / CSA B125.1
- NSF 61 - Section 9
- NSF 372 (Low Lead Content)

Warranty: One Year (Limited)

Performance Data:

- Pressure: 20 - 125 psi [1.38 - 8.62 bar]
- Temperature: 40 °F - 140 °F [4.44 °C - 60 °C]
- Flow Rate: 4.26 GPM [16.12 L/min] @ 60 psi [4.14 bar]



T&S BRASS AND BRONZE WORKS, INC.



• 2 Saddleback Cove • Travelers Rest, SC 29690
 Ph 800-476-4103 • Fax 864-834-3518
 • Simi Valley, CA • Ph 800-423-0150 • www.tsbrass.com

Date: 05/21/21