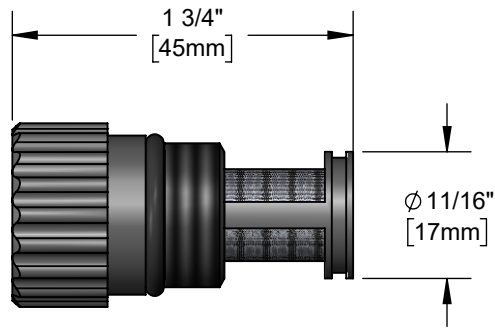
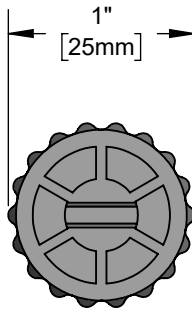




Architect/Engineering Specifications:

Electronic faucet control module filter. Certified to NSF 61-Section 9 and NSF 372.

Job Name _____
Model Specified _____ Quantity _____
Variations Specified _____
Date _____



Features & Benefits:

- Control module replacement filter
- M20 x 1.5 male thread
- Material: Plastic

Product Compliance:

- NSF 61 - Section 9
- NSF 372 (Low Lead Content)

Warranty: One Year (Limited)

Performance Data:

- N/A

