



T&S BRASS AND BRONZE WORKS, INC.

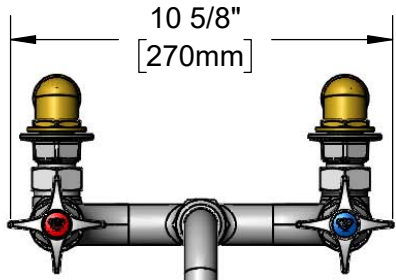
2 Saddleback Cove / P.O. Box 1088
Travelers Rest, SC 29690

Model No.

B-0290-CVH

Item No.

Travelers Rest, SC: 800-476-4103 • Simi Valley, CA: 800-423-0150 • Fax: 864-834-3518 • www.tsbrass.com



10 5/8"
[270mm]



ADA Compliant

This Space for Architect/Engineer Approval

Job Name _____ Date _____

Model Specified _____ Quantity _____

Customer/Wholesaler _____

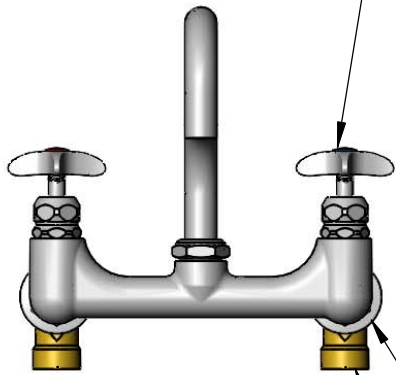
Contractor _____

Architect/Engineer _____



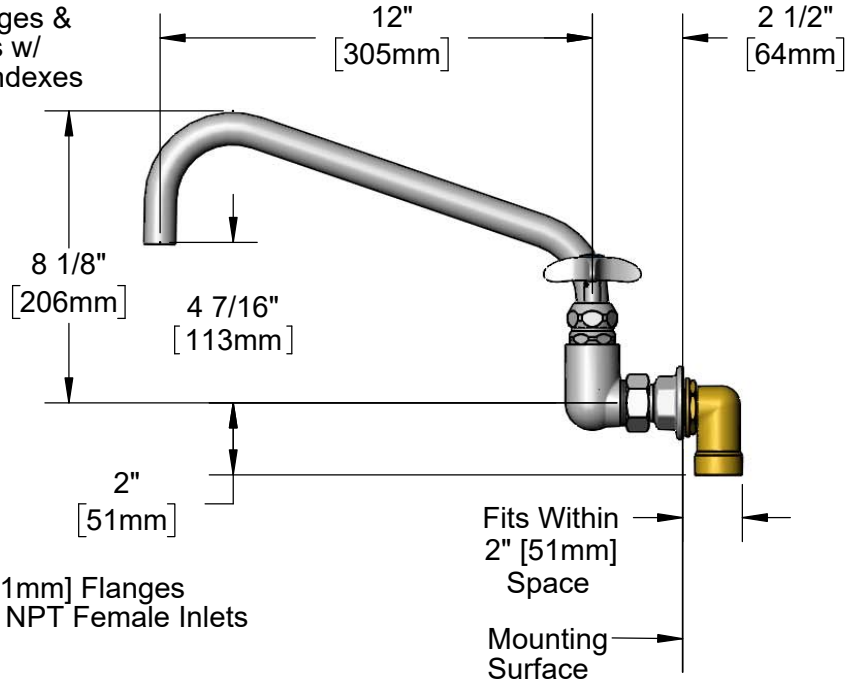
114X
Big-Flo 12" Swing Nozzle
w/ Plain End Outlet.
Converts to Rigid w/
016807-45 Lock Washer
(Included)

Big-Flo Cartridges &
4-Arm Handles w/
Color Coded Indexes



8"
[203mm]

Adjustable from
7 3/4" to 8 1/4"
[197mm to 210mm]



Ø 2" [51mm] Flanges
w/ 3/4" NPT Female Inlets

3/4" NPT Street Elbows

Fits Within
2" [51mm]
Space

Mounting
Surface



(2) B-CVH3-4
3/4" NPT Female
Check Valves
Included

Rough-In Requirement:
(2) Ø 1 1/4" [32mm] Mounting Holes

Product Specifications:
8" Wall Mount Big-Flo Mixing Faucet, Big-Flo Cartridges, 4-Arm Handles,
12" Big-Flo Swing Nozzle, 3/4" NPT Elbow Inlets & 3/4" Check Valves

Product Compliance:
ASME A112.18.1 / CSA B125.1
NSF 61 - Section 9
NSF 372 (Low Lead Content)
ANSI A117.1 (ADA)



T&S BRASS AND BRONZE WORKS, INC.

2 Saddleback Cove / P.O. Box 1088
Travelers Rest, SC 29690

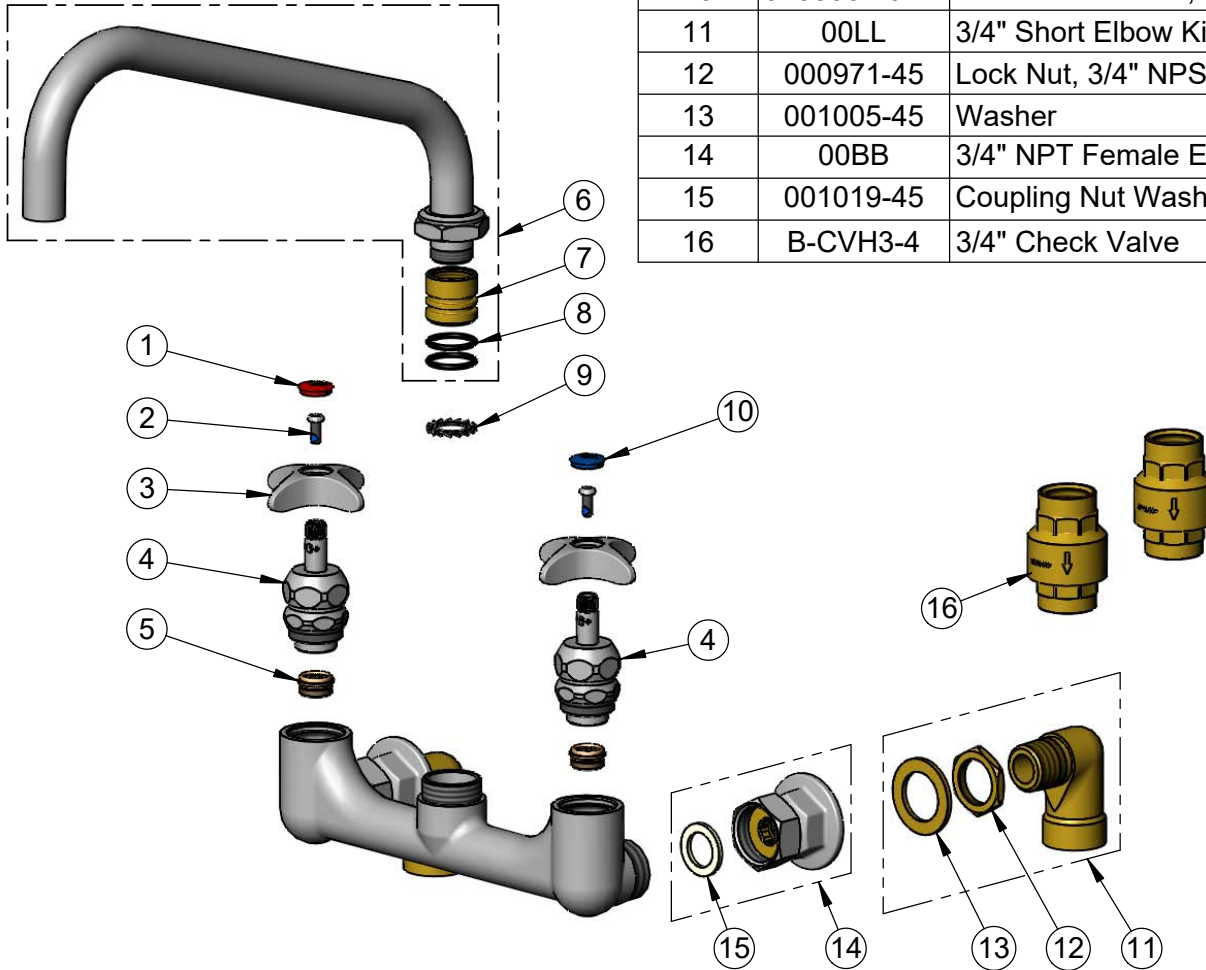
Model No.

B-0290-CVH

Item No.

Travelers Rest, SC: 800-476-4103 • Simi Valley, CA: 800-423-0150 • Fax: 864-834-3518 • www.tsbrass.com

ITEM NO.	SALES NO.	DESCRIPTION
1	001193-19NS	Red Button Index, Press-in
2	000925-45	Lab Handle Screw
3	002521-45NS	4-Arm Handle (New Style)
4	006482-40NS	Big-Flo Cartridge, RTC
5	000764-20	Seat, Big-Flo
6	114X	12" Big-Flo Swing Nozzle
7	000847-20	Big-Flo Swivel Piece
8	001068-45	O-ring
9	016807-45	Serrated Lock Washer
10	018506-19NS	Blue Button Index, Press-in
11	00LL	3/4" Short Elbow Kit
12	000971-45	Lock Nut, 3/4" NPSM
13	001005-45	Washer
14	00BB	3/4" NPT Female Eccentric Flange
15	001019-45	Coupling Nut Washer
16	B-CVH3-4	3/4" Check Valve



Product Specifications:

8" Wall Mount Big-Flo Mixing Faucet, Big-Flo Cartridges, 4-Arm Handles, 12" Big-Flo Swing Nozzle, 3/4" NPT Elbow Inlets & 3/4" Check Valves

Product Compliance:

ASME A112.18.1 / CSA B125.1
NSF 61 - Section 9
NSF 372 (Low Lead Content)
ANSI A117.1 (ADA)