



**T&S BRASS AND BRONZE WORKS, INC.**  
 2 Saddleback Cove / P.O. Box 1088  
 Travelers Rest, SC 29690

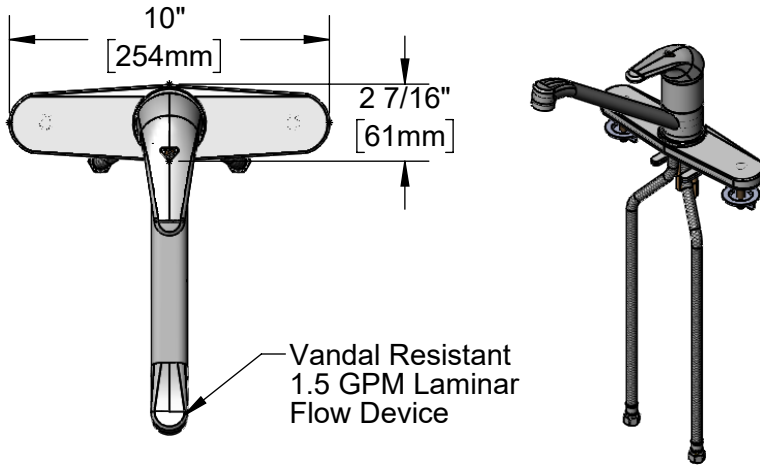
Model No.  
**B-2731-LF15**

Item No.

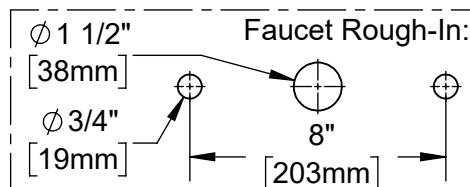
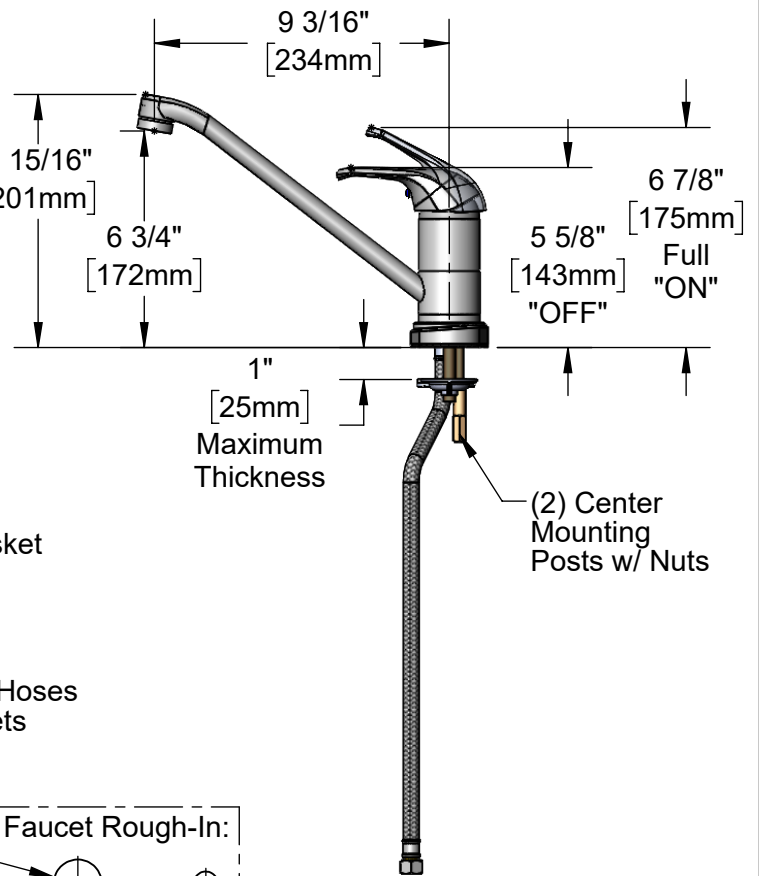
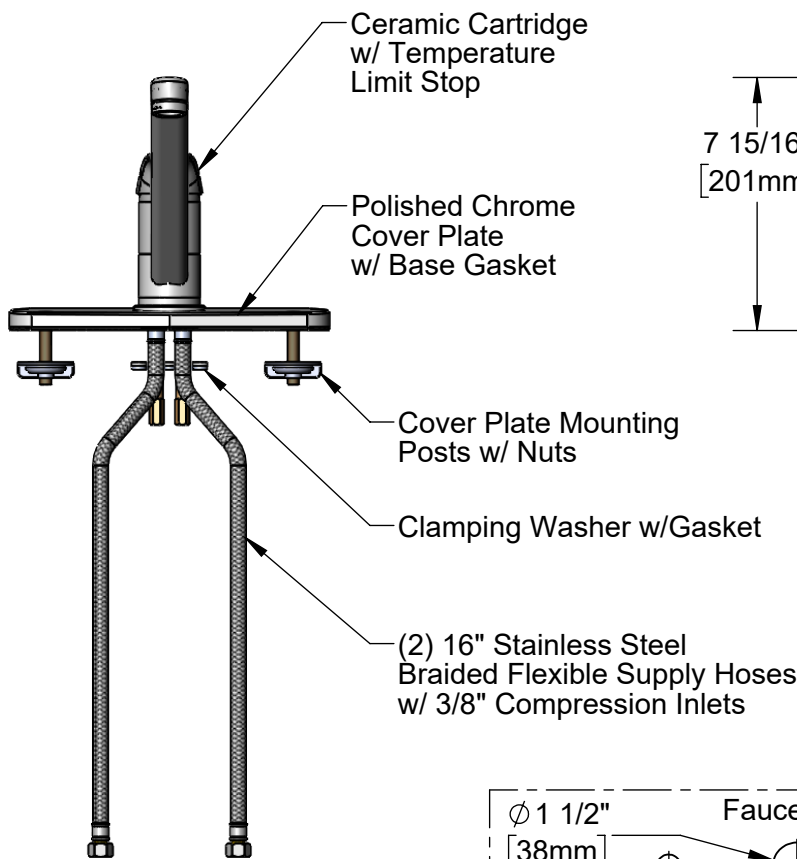
Travelers Rest, SC: 800-476-4103 • Simi Valley, CA: 800-423-0150 • Fax: 864-834-3518 • www.tsbrass.com

This Space for Architect/Engineer Approval

Job Name \_\_\_\_\_ Date \_\_\_\_\_  
 Model Specified \_\_\_\_\_ Quantity \_\_\_\_\_  
 Customer/Wholesaler \_\_\_\_\_  
 Contractor \_\_\_\_\_  
 Architect/Engineer \_\_\_\_\_



**ADA Compliant**



**Product Specifications:**  
 Single Lever Deck Mount Faucet, 9" Swivel Spout, 1.5 GPM Vandal Resistant Laminar Flow Device, Flexible Supply Hoses, 10" Deckplate, Ceramic Cartridge & Temperature Limit Stop

**Product Compliance:**  
 ASME A112.18.1 / CSA B125.1  
 NSF 61 - Section 9  
 NSF 372 (Low Lead Content)  
 ANSI A117.1 (ADA)  
 EPA WaterSense



# T&S BRASS AND BRONZE WORKS, INC.

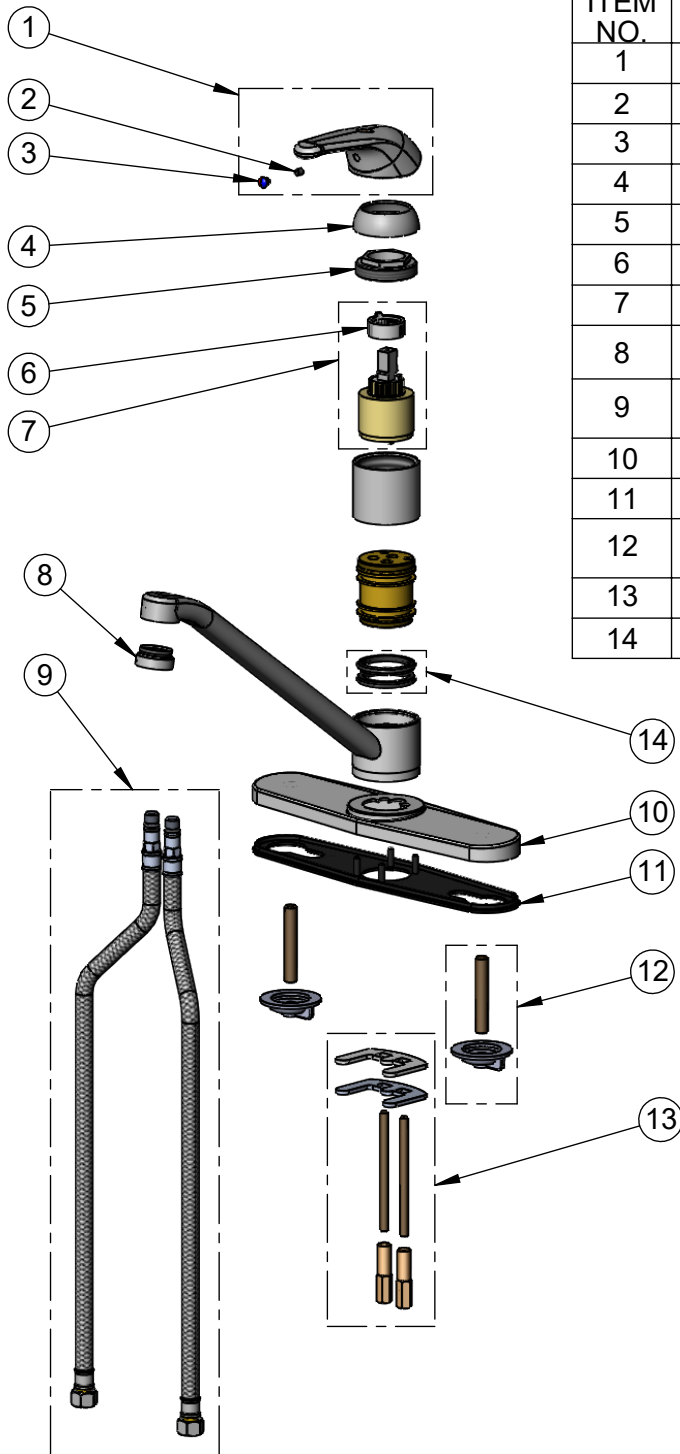
2 Saddleback Cove / P.O. Box 1088  
Travelers Rest, SC 29690

Model No.

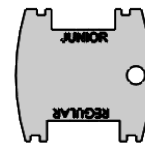
**B-2731-LF15**

Item No.

Travelers Rest, SC: 800-476-4103 • Simi Valley, CA: 800-423-0150 • Fax: 864-834-3518 • www.tsbrass.com



ITEM NO.	SALES NO.	DESCRIPTION
1	013113-45	Handle, Single Lever
2	016675-45	Set Screw
3	014173-45	Index, Temperature
4	016661-45	Trim Ring
5	016663-45	Locking Nut
6	015400-45	Temperature Limit Stop
7	013080-45	Cartridge
8	B-0199-09-LF15	VR 1.5 GPM Laminar Flow Device
9	016879-45	16" Supply Hoses w/ 3/8" Compression Inlets (2)
10	014161-45	Deck Plate
11	014160-45	Deck Plate Gasket
12	014162-45	Mounting Post & Nut Kit (Set of 2)
13	014163-45	Center Mounting Kit
14	017150-45K	Base Seal (2)



015425-45  
Vandal Resistant  
Aerator Key

**Product Specifications:**

Single Lever Deck Mount Faucet, 9" Swivel Spout, 1.5 GPM Vandal Resistant Laminar Flow Device, Flexible Supply Hoses, 10" Deckplate, Ceramic Cartridge & Temperature Limit Stop

**Product Compliance:**

ASME A112.18.1 / CSA B125.1  
NSF 61 - Section 9  
NSF 372 (Low Lead Content)  
ANSI A117.1 (ADA)  
EPA WaterSense