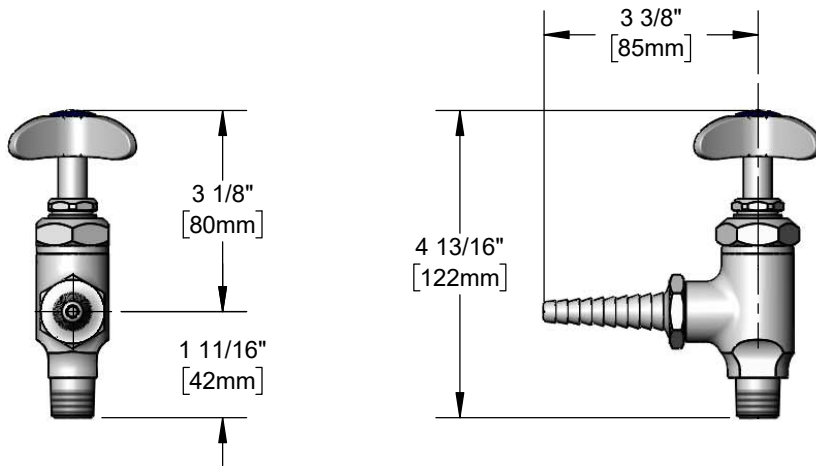




Architect/Engineering Specifications:

Laboratory angled stop with polished chrome plated brass body, removable serrated tip outlet (accepts 1/4" to 3/8" I.D. hose), 4-arm handle and 3/8" NPT male inlet. Certified to ANSI Z21.15a / CSA 9.1a.

Job Name _____
Model Specified _____ Quantity _____
Variations Specified _____
Date _____



Features & Benefits:

- Laboratory angled stop with polished chrome plated brass body
- Removable serrated tip outlet (accepts 1/4" to 3/8" I.D. hose)
- Floating stainless steel cone regulates gas flow as handle is turned
- 4-arm handle
- Press-in color coded indexes (gas, vacuum & air included)
- 3/8" NPT male inlet
- Material: Polished chrome plated brass body & chrome plated metal handle

Product Compliance:

- ANSI Z21.15a / CSA 9.1a (Gas Valves)



Warranty: One Year (Limited)

Performance Data:

- Pressure:
 - Gas - 0.5 psi max
 - Air - 125 psi max
 - Vacuum - 30 inches of Mercury max
- Temperature: 32°F - 125°F

