

This Space For Architect/Engineer Approval

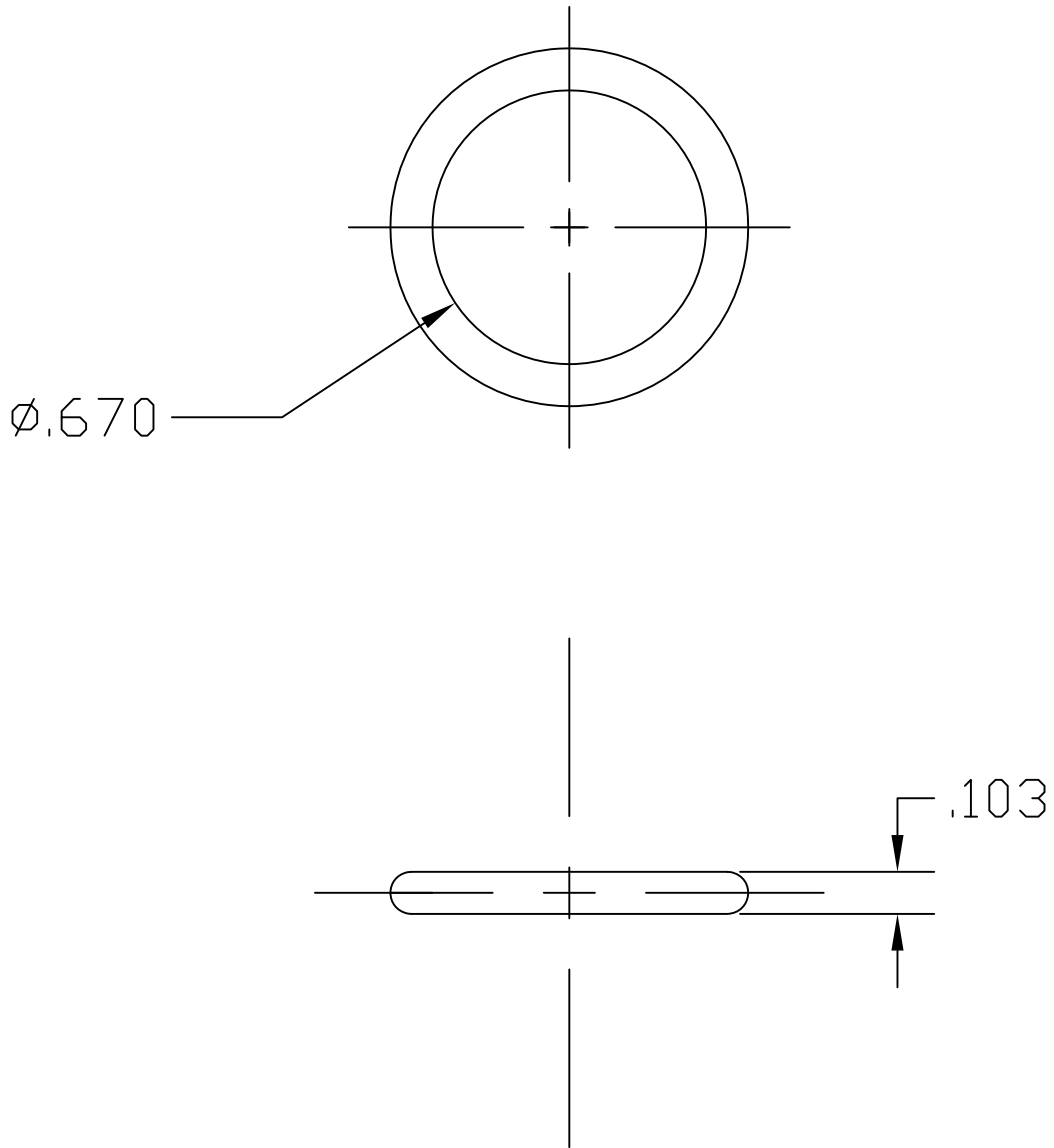
Job Name _____ Date _____

Model Specified _____ Quantity _____

Customer/Wholesaler _____

Contractor _____

Architect/Engineer _____



MODEL NUMBER 013848-45

DATE 3/21/06

SCALE 2:1

DRAWN DHL

CHECKED WJS

APPROVED JHB



DESCRIPTION

O-RING FOR EQUIP SWING NOZZLES
< 10 O-RINGS PER PACKAGE >

equip Foodservice Accessories
P.O. BOX 1088, 2 SADDLEBACK COVE
TRAVELERS REST, SOUTH CAROLINA 29690
PHONE: 800.891.4808 FAX: 800.868.0084