



Loose Key Stops

B-1342

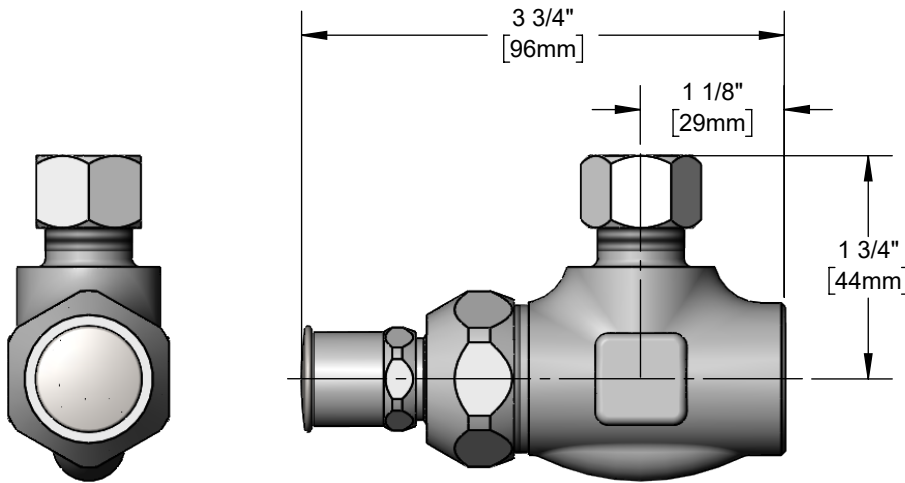
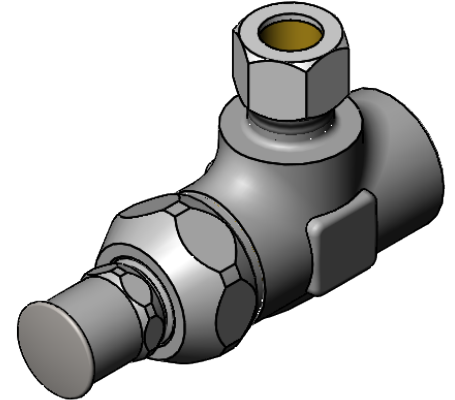
TAG:

Loose Key Angle Stop

Architect/Engineering Specifications:

Loose key angle stop with polished chrome plated brass body, loose key style shutoff valve with tee handle, compression cartridge, 1/2" NPT female inlet and compression outlet with nut and sleeve to fit 1/2" O.D copper tubing. Certified to ASME A112.18.1/CSA B125.1, NSF 61-Section 9 and NSF 372.

Job Name _____
 Model Specified _____ Quantity _____
 Variations Specified _____
 Date _____



Features & Benefits:

- Loose key angle stop with polished chrome plated brass body
- Loose key style shutoff valve with tee handle
- Compression cartridge
- 1/2" NPT female inlet
- Outlet with compression nut and sleeve to fit 1/2" O.D copper tubing
- Material: Polished chrome plated brass body

Product Compliance:

- ASME A112.18.1 / CSA B125.1
- NSF 61 - Section 9
- NSF 372 (Low Lead Content)

Warranty: One Year (Limited)

Performance Data:

- Pressure: 20 - 125 psi [1.38 - 8.62 bar]
- Temperature: 40°F - 140°F [4.44°C - 60°C]
- Flow Rate: 15.20 GPM [57.54 L/min] @ 60 psi [4.14 bar]



T&S BRASS AND BRONZE WORKS, INC.



• 2 Saddleback Cove • Travelers Rest, SC 29690
 Ph 800-476-4103 • Fax 864-834-3518
 • Simi Valley, CA • Ph 800-423-0150 • www.tsbrass.com

Date: 06/09/23