



**Glass Fillers**  
**S-1200**

TAG:

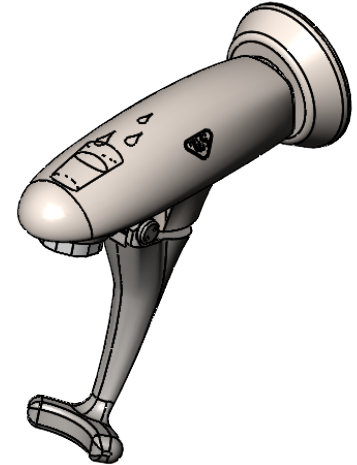
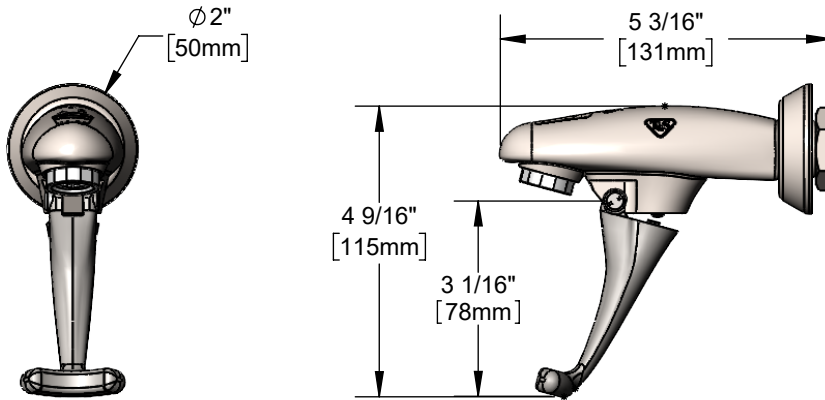
**EVERSTEEL**

*Push Back Glass Filler*

**Architect/Engineering Specifications:**

Wall mount stainless steel glass filler, adjustable stainless steel flow outlet, stainless steel push back actuation arm with VR screw and 3/8" NPT stainless steel female inlet with adjustable stainless steel wall flange. Certified to ASME A112.18.1/CSA B125.1, NSF 61-Section 9 and NSF 372. Meets ADA ANSI/ICC A117.1 requirements.

Job Name \_\_\_\_\_  
 Model Specified \_\_\_\_\_ Quantity \_\_\_\_\_  
 Variations Specified \_\_\_\_\_  
 Date \_\_\_\_\_



**Features & Benefits:**

- Wall mount stainless steel glass filler
- Torx wrench adjustable stainless steel flow outlet (wrench included)
- Stainless steel push back arm w/ VR screw & bit
- Instantaneous shut-off
- 3/8" NPT stainless steel female inlet w/ adjustable Ø 2" stainless steel wall flange
- Material: Stainless steel body, flange and arm

**Product Compliance:**

- ASME A112.18.1 / CSA B125.1
- NSF 61 - Section 9
- NSF 372 (Low Lead Content)
- ANSI A117.1 (ADA)

**Warranty:** Lifetime (Limited)

**Performance Data:**

- Pressure: 20 - 125 psi [1.38 - 8.62 bar]
- Temperature: 40°F - 140°F [4.44°C - 60°C]
- Flow Rate: 0.25 GPM [.95 L/min] min @ 60 psi [4.14 bar]  
2.25 GPM [8.52 L/min] max @ 60 psi [4.14 bar]



**ADA Compliant**



**T&S BRASS AND BRONZE WORKS, INC.**



• 2 Saddleback Cove • Travelers Rest, SC 29690  
 Ph 800-476-4103 • Fax 864-834-3518  
 • Simi Valley, CA • Ph 800-423-0150 • www.tsbrass.com

Date: 06/21/24