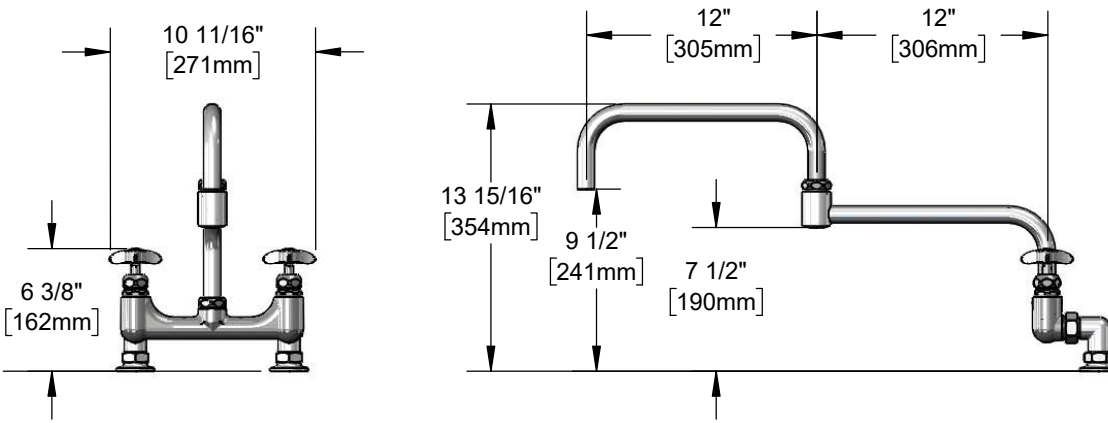




Architect/Engineering Specifications:

8" deck mount large flow mixing faucet with polished chrome plated brass body, 24" double joint swing nozzle with plain end outlet, compression cartridges, 4-arm handles, and 3/4" NPT female elbow inlets. Certified to ASME A112.18.1/CSA B125.1, NSF 61-Section 9 and NSF 372. Meets ADA ANSI/ICC A117.1 requirements.

Job Name _____
 Model Specified _____ Quantity _____
 Variations Specified _____
 Date _____



Features & Benefits:

- 8" deck mount Big-Flo mixing faucet w/ polished chrome plated brass body
- 24" Big-Flo double joint plain end swing nozzle
- Big-Flo compression cartridges
- 4-arm handles w/ color coded indexes
- 3/4" NPT female eccentric inlets w/ Ø 2" flanges
- Adjustable centers from 7 3/4" to 8 1/4"
- 3/4" NPT female short inlet elbows
- Material: Polished chrome plated brass body & tubular spout and chrome plated metal handles

Product Compliance:

- ASME A112.18.1 / CSA B125.1
- NSF 61 - Section 9
- NSF 372 (Low Lead Content)
- ANSI A117.1 (ADA)

Warranty: One Year (Limited)

Performance Data:

- Pressure: 20 - 125 psi
- Temperature: 40 °F - 140 °F
- Flow Rate: 43.13 GPM @ 60 psi



ADA Compliant

