



T&S BRASS AND BRONZE WORKS, INC.
 2 Saddleback Cove / P.O. Box 1088
 Travelers Rest, SC 29690

Model No.
BL-4700-01

Item No.

Travelers Rest, SC: 800-476-4103 • Simi Valley, CA: 800-423-0150 • Fax: 864-834-3518 • www.tsbrass.com

This Space for Architect/Engineer Approval

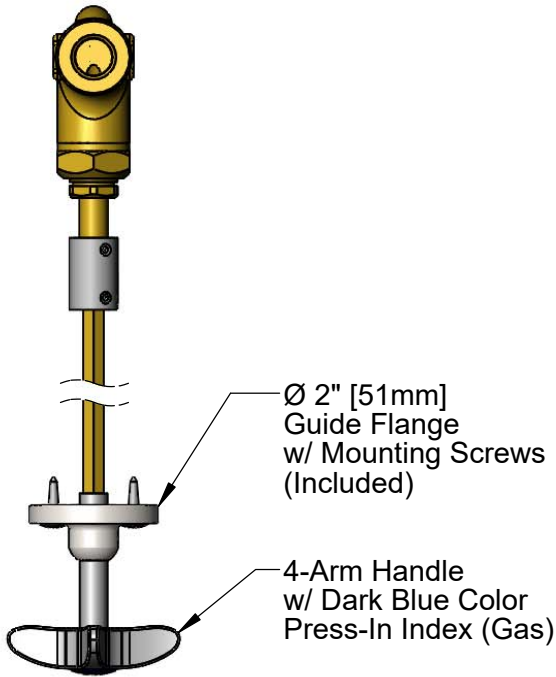
Job Name _____ Date _____

Model Specified _____ Quantity _____

Customer/Wholesaler _____

Contractor _____

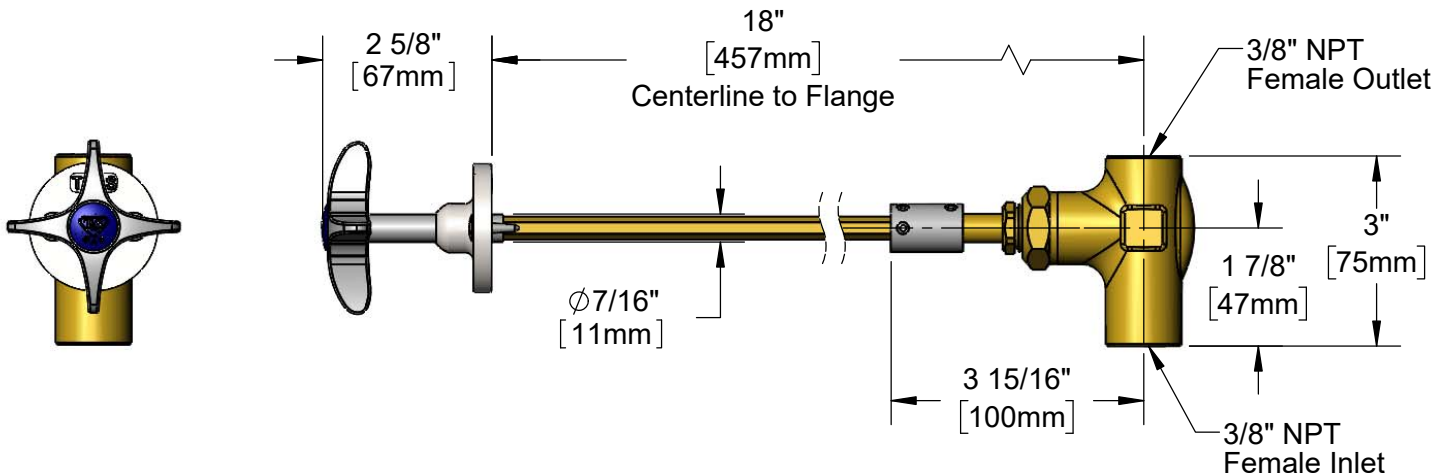
Architect/Engineer _____



209L-AIR-NS
 Index
 (Included)



209L-VAC-NS
 Index
 (Included)



Product Specifications:

Remote Control Straight Valve for Gases w/ 18" Centerline to Flange, 4-Arm Handle, "GAS", "AIR" & "VAC" Press-In Indexes, Guide Flange w/ Mounting Screws & 3/8" NPT Inlet & Outlet

Product Compliance:

ANSI Z21.15a / CSA 9.1a (Gas Valves)



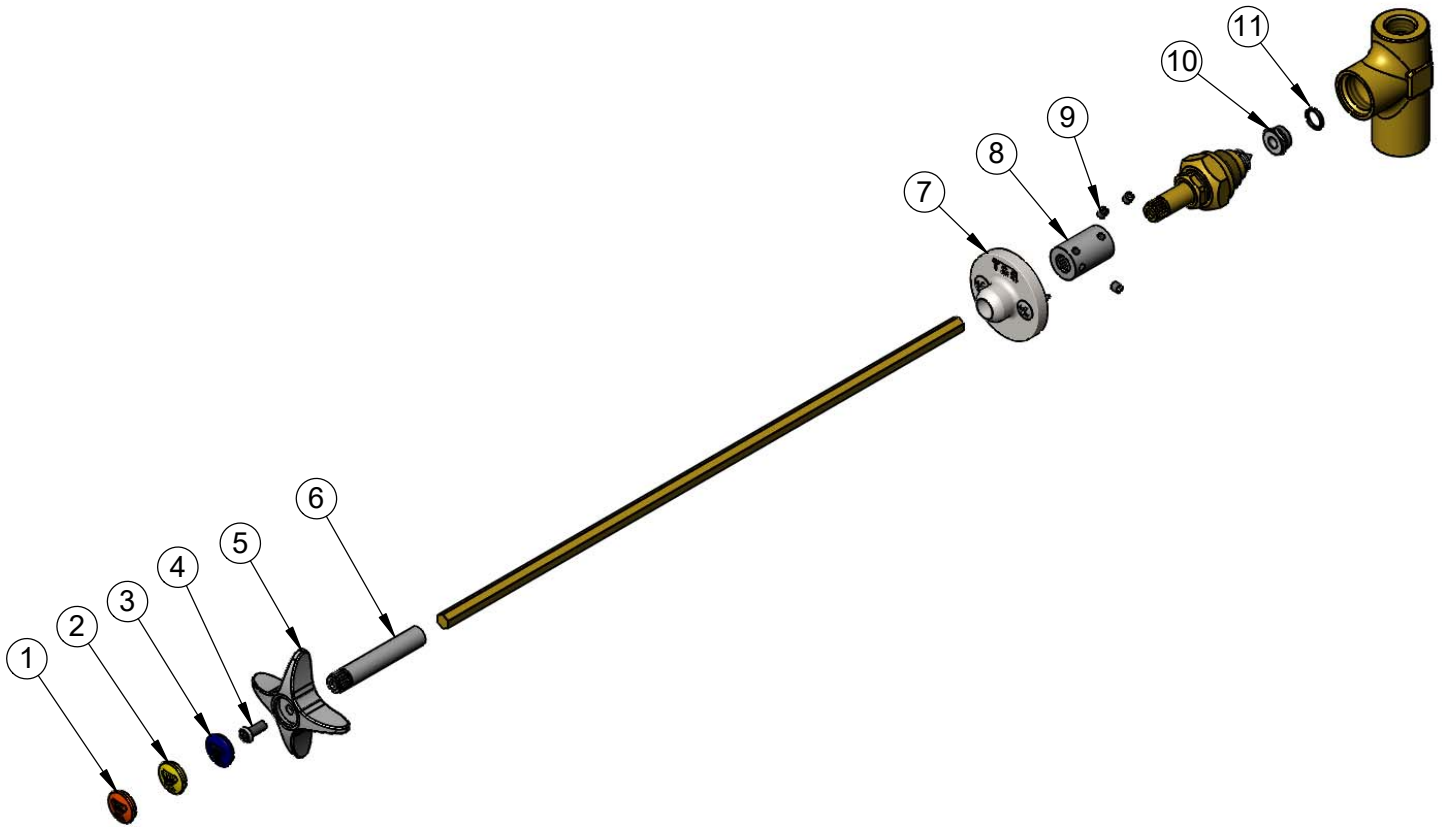
T&S BRASS AND BRONZE WORKS, INC.
 2 Saddleback Cove / P.O. Box 1088
 Travelers Rest, SC 29690

Model No.
BL-4700-01

Item No.

Travelers Rest, SC: 800-476-4103 • Simi Valley, CA: 800-423-0150 • Fax: 864-834-3518 • www.tsbrass.com

ITEM NO.	SALES NO.	DESCRIPTION
1	209L-AIR-NS	Orange "AIR" Lab Button Index
2	209L-VAC-NS	Yellow "VAC" Lab Button Index
3	209L-GAS-NS	Dark Blue "GAS" Lab Button Index
4	000925-45	Lab Handle Screw
5	002521-45NS	4-Arm Handle (New Style)
6	000784-40	Broached Sleeve
7	BL-4740-01	Guide Flange w/ Mounting Screws, Wood Furniture
8	000642-20	Coupling Remote
9	001584-45	Set Screw, 10-32 UN
10	000529-20	Seat
11	001070-45	O-ring



Product Specifications:

Remote Control Straight Valve for Gases w/ 18" Centerline to Flange, 4-Arm Handle, "GAS", "AIR" & "VAC" Press-In Indexes, Guide Flange w/ Mounting Screws & 3/8" NPT Inlet & Outlet

Product Compliance:

ANSI Z21.15a / CSA 9.1a (Gas Valves)