



# Workboard / Bar Sink Faucets

## B-0534

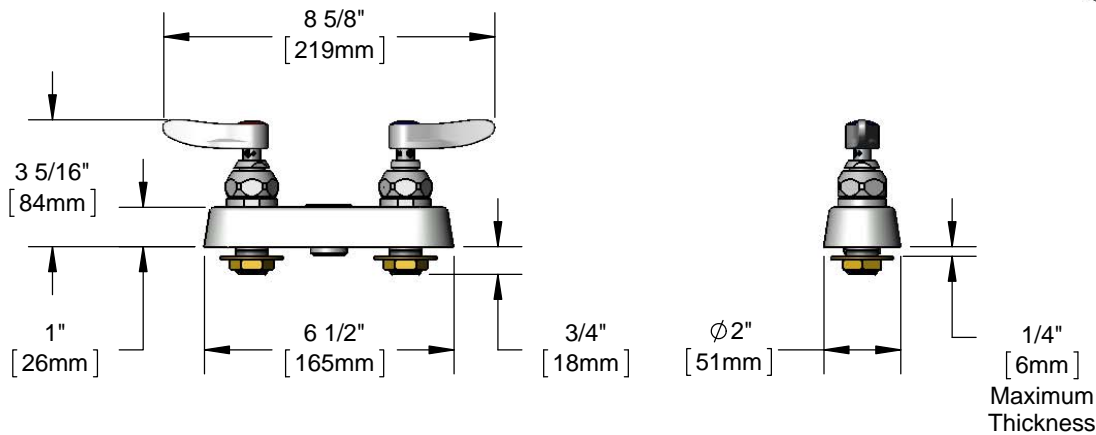
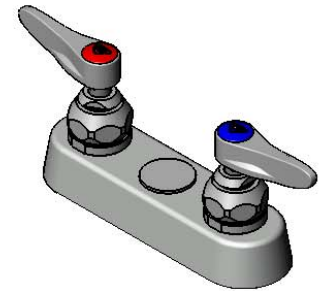
TAG:

### Concealed Deck Mount Mixing Faucet

#### Architect/Engineering Specifications:

4" deck mount mixing faucet with chrome plated brass body, 1/4" NPT female bottom outlet for spray hoses, compression cartridges with spring checks, lever handles, 1/2" NPT male shanks with 1/4" NPT female inlets and chrome plated escutcheon. Certified to ASME A112.18.1/CSA B125.1, NSF 61-Section 9 and NSF 372. Meets ADA ANSI/ICC A117.1 requirements.

Job Name \_\_\_\_\_  
 Model Specified \_\_\_\_\_ Quantity \_\_\_\_\_  
 Variations Specified \_\_\_\_\_  
 Date \_\_\_\_\_



#### Features & Benefits:

- 4" deck mount mixing faucet w/ chrome plated brass body
- 1/4" NPT female bottom outlet for spray hoses
- Quarter-turn Eterna compression cartridges with spring checks to prevent cross flow of water
- Lever handles w/ color coded indexes
- 1/2" NPT male shanks w/ 1/4" NPT female inlets
- Chrome plated escutcheon
- Material: Chrome plated brass body and chrome plated metal handles & escutcheon

#### Product Compliance:

- ASME A112.18.1 / CSA B125.1
- NSF 61 - Section 9
- NSF 372 (Low Lead Content)
- ANSI A117.1 (ADA)



**Warranty:** One Year (Limited)

#### Performance Data:

- Pressure: 20 - 125 psi
  - Temperature: 40 °F - 140 °F
  - Flow Rate: 12.1 GPM @ 60 psi
- (Outlet Device &/or Final Configuration May Reduce Flow Rate)



**ADA Compliant**

#### Optional Handles

- 4" Wrist Action
- Lever (Standard)

#### Optional Cartridges

- Quarter-Turn Cerama w/ Check Valve
- Quarter-Turn Eterna w/ Spring Check (Standard)



**T&S BRASS AND BRONZE WORKS, INC.**



• 2 Saddleback Cove • Travelers Rest, SC 29690  
 Ph 800-476-4103 • Fax 864-834-3518  
 • Simi Valley, CA • Ph 800-423-0150 • www.tsbrass.com

Date: 07/23/16