



T&S BRASS AND BRONZE WORKS, INC.

2 Saddleback Cove / P.O. Box 1088
Travelers Rest, SC 29690

Model No.

B-0289

Item No.

Travelers Rest, SC: 800-476-4103 • Simi Valley, CA: 800-423-0150 • Fax: 864-834-3518 • www.tsbrass.com

This Space for Architect/Engineer Approval

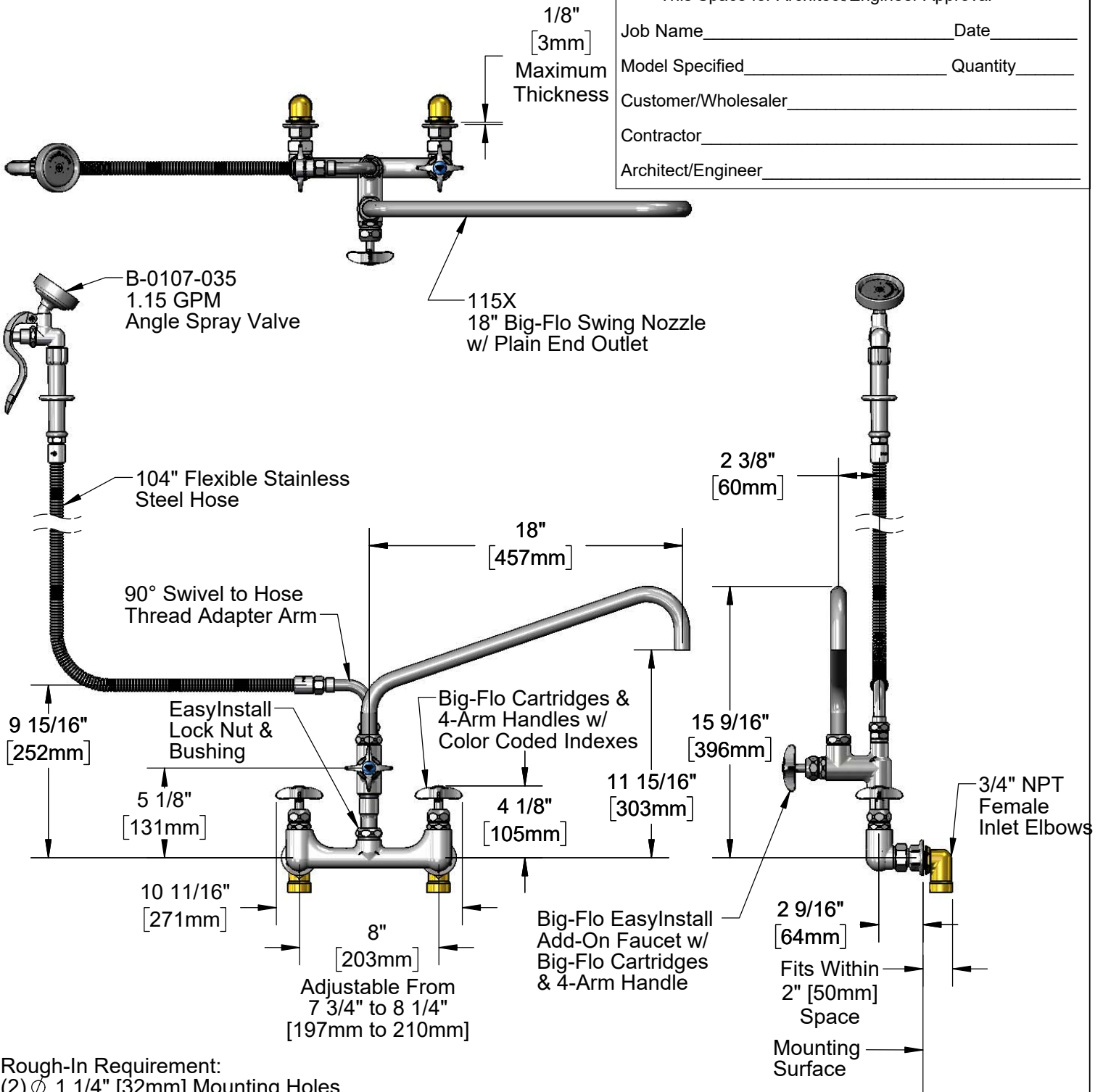
Job Name _____ Date _____

Model Specified _____ Quantity _____

Customer/Wholesaler _____

Contractor _____

Architect/Engineer _____



Rough-In Requirement:
(2) ϕ 1 1/4" [32mm] Mounting Holes

Product Specifications:

8" Wall Mount Big-Flo Mixing Faucet, Big-Flo Cartridges, 4-Arm Handles, Big-Flo Add-On Faucet, 18" Big-Flo Swing Nozzle, Swivel Adapter Arm, 104" Flexible Stainless Steel Hose, 1.15 GPM Angle Spray Valve & 3/4" NPT Female Elbow Inlets

Product Compliance:

ASME A112.18.1 / CSA B125.1
NSF 61 - Section 9
NSF 372 (Low Lead Content)
2019 DOE PRSV - Class II



T&S BRASS AND BRONZE WORKS, INC.

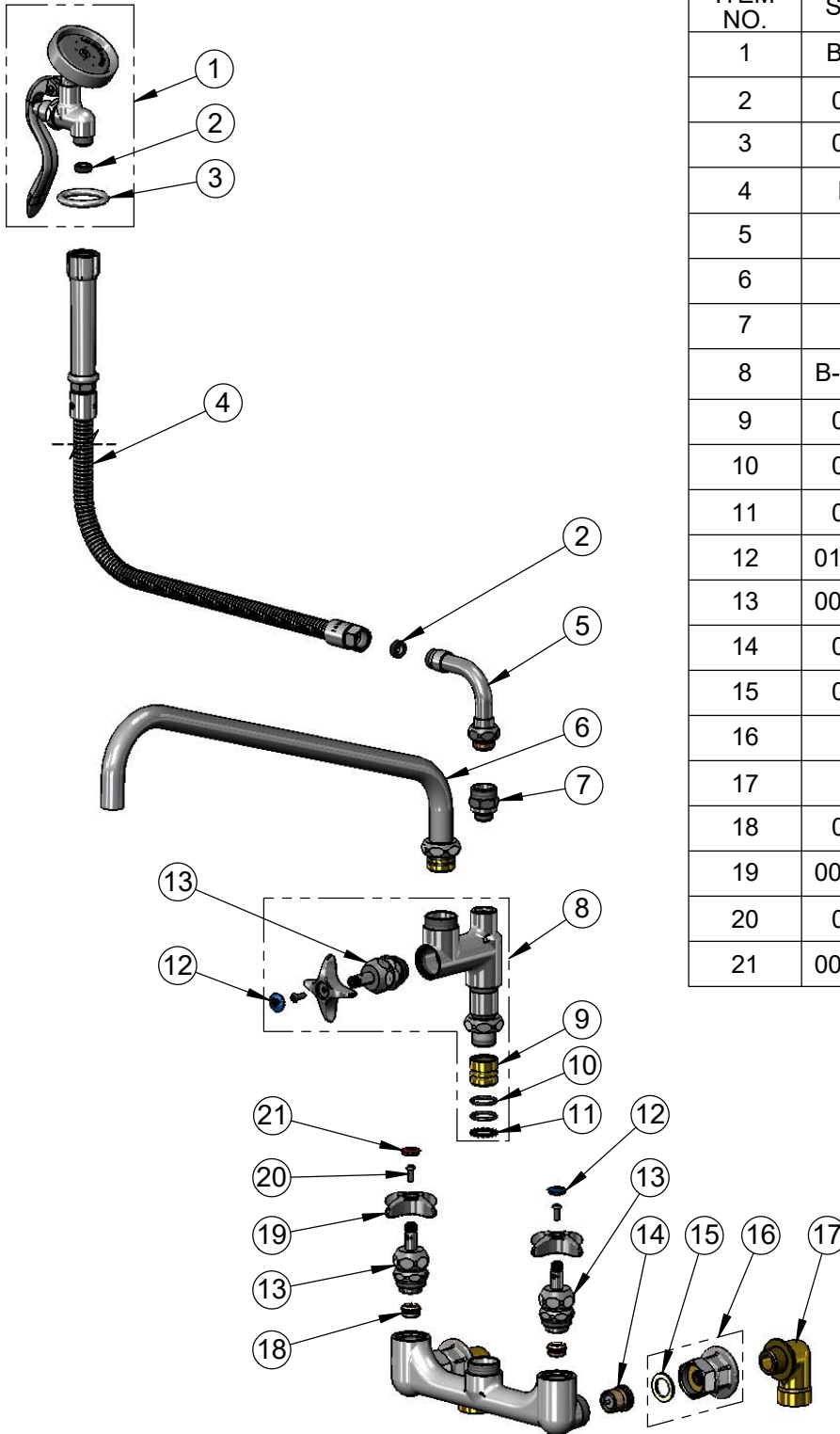
2 Saddleback Cove / P.O. Box 1088
Travelers Rest, SC 29690

Model No.

B-0289

Item No.

Travelers Rest, SC: 800-476-4103 • Simi Valley, CA: 800-423-0150 • Fax: 864-834-3518 • www.tsbrass.com



ITEM NO.	SALES NO.	DESCRIPTION
1	B-0107-035	1.15 GPM Angled Spray Valve
2	010476-45	#27 Washer
3	000907-45	Spray Valve Hold Down Ring
4	B-0104-H	104" Flexible Stainless Steel Hose w/ Handle
5	034A	Swivel Adapter Arm
6	115X	18" Big-Flo Swing Nozzle
7	B-0412	Rigid to Swivel Adapter
8	B-0286-LNEZ	Big-Flo EasyInstall Add-On Faucet, Less Nozzle
9	000847-20	Big-Flo Swivel Piece
10	001068-45	O-ring
11	016807-45	Serrated Lock Washer
12	018506-19NS	Blue Button Index, Press-in
13	006482-40NS	Big-Flo Cartridge, RTC
14	016902-20	Big-Flo Check Valve
15	001019-45	Coupling Nut Washer
16	00BB	3/4" NPT Female Eccentric Flange
17	00LL	3/4" Short Elbow Inlet
18	000764-20	Seat, Big-Flo
19	002521-45NS	4-Arm Handle (New Style)
20	000925-45	Lab Handle Screw
21	001193-19NS	Red Button Index, Press-in

Product Specifications:

8" Wall Mount Big-Flo Mixing Faucet, Big-Flo Cartridges, 4-Arm Handles, Big-Flo Add-On Faucet, 18" Big-Flo Swing Nozzle, Swivel Adapter Arm, 104" Flexible Stainless Steel Hose, 1.15 GPM Angle Spray Valve & 3/4" NPT Female Elbow Inlets

Product Compliance:

ASME A112.18.1 / CSA B125.1
NSF 61 - Section 9
NSF 372 (Low Lead Content)
2019 DOE PRSV - Class II