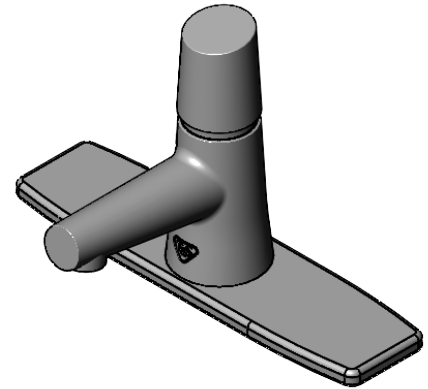
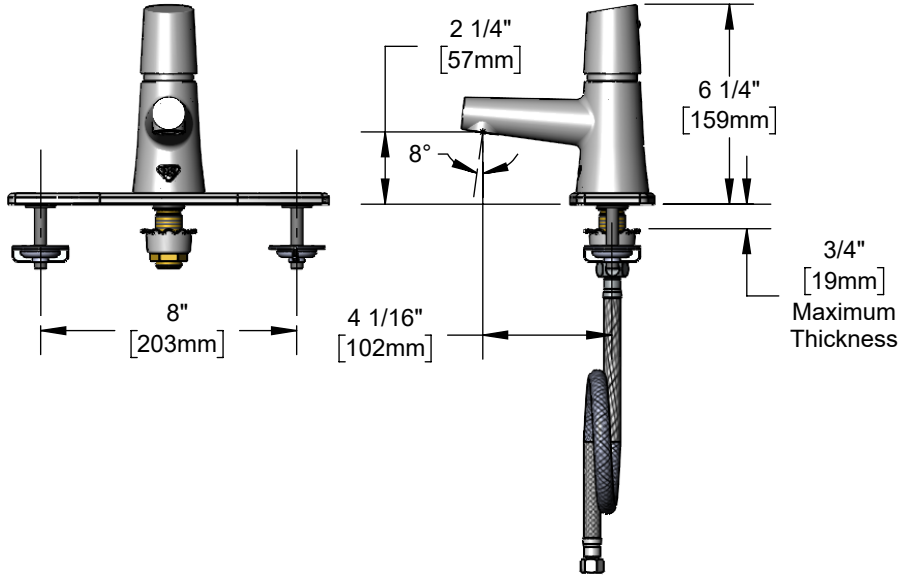




Architect/Engineering Specifications:

Single hole, single temperature, deck mount faucet with polished chrome plated brass body, 8" c/c polished chrome plated vandal resistant deck plate with gasket, vandal resistant 0.5 GPM concealed non-aerated spray device, metering cartridge, push button cap and 1/2" NPSM male inlet with 24" flexible stainless steel braided supply hose with 3/8" compression fitting. Certified to ASME A112.18.1/CSA B125.1, NSF 61-Section 9 and NSF 372. Meets ADA ANSI/ICC A117.1 requirements.

Job Name _____
 Model Specified _____ Quantity _____
 Variations Specified _____
 Date _____



Features & Benefits:

- Single hole, single temperature deck mount faucet w/ polished chrome plated brass body
- 10" polished chrome plated brass deck plate (fits 8" hole centers)
- VR 0.5 GPM concealed non-aerated spray device
- Metering cartridge
- Adjustable metering cycle, 10 to 30 seconds
- Push button cap w/ screw & index
- 1/2" NPSM male inlet
- 24" flexible stainless steel supply hose w/ 3/8" O.D. compression connection
- Material: Polished chrome plated brass body & chrome plated push button

Product Compliance:

- ASME A112.18.1 / CSA B125.1
- NSF 61 - Section 9
- NSF 372 (Low Lead Content)
- ANSI A117.1 (ADA)

Warranty: One Year (Limited)

Performance Data:

- Pressure: 20 - 125 psi [1.38 - 8.62 bar]
- Temperature: 40°F - 140°F [4.44°C - 60°C]
- Flow Rate: 0.5 GPM [1.89 L/min] @ 60 psi [4.14 bar]
- Water Consumption: @ 10 sec = .08 gal [.30 L]
@ 15 sec = .13 gal [.49 L]



Optional Outlets (M21 Series)

GPM	VR Aerated	VR Non-Aerated (VR Laminar)
0.35	<input type="checkbox"/> N/A	<input type="checkbox"/> B-0199-M21-V035
0.5	<input type="checkbox"/> N/A	Standard
1.0	<input type="checkbox"/> B-0199-M21-V10	<input type="checkbox"/> B-0199-M21-VL10
1.5	<input type="checkbox"/> B-0199-M21-V15	<input type="checkbox"/> B-0199-M21-VL15

