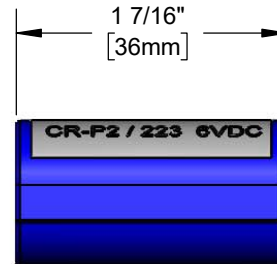
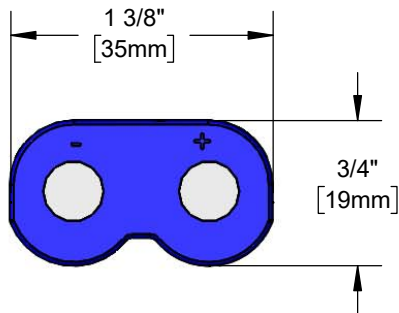
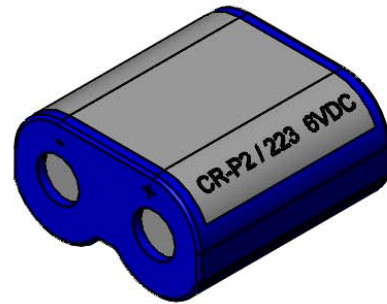




Architect/Engineering Specifications:

6 volt lithium battery, type CR-P2.

Job Name _____
 Model Specified _____ Quantity _____
 Variations Specified _____
 Date _____



Features & Benefits:

- 6 volt lithium battery
- Type CR-P2

Product Compliance:

- N/A

Performance Data:

- N/A

