



T&S BRASS AND BRONZE WORKS, INC.

2 Saddleback Cove / P.O. Box 1088
Travelers Rest, SC 29690

Model No.

BL-4270-02

Item No.

Travelers Rest, SC: 800-476-4103 • Simi Valley, CA: 800-423-0150 • Fax: 864-834-3518 • www.tsbrass.com

This Space for Architect/Engineer Approval

Job Name _____ Date _____

Model Specified _____ Quantity _____

Customer/Wholesaler _____

Contractor _____

Architect/Engineer _____



ADA Compliant

Press-in Orange
"AIR" Index

Ø 2 3/16"
[56mm]

Press-in Dark Blue
"GAS" Index

90°

NOTES:

1. Natural Gas Pressure: 0.5 PSIG Max.
(For Natural Gas above 0.5 PSIG or Oxygen and Specialty Gases, use BL-4010-01 Gas Cock.)
2. Air Pressure: 125 PSIG Max.
3. Vacuum: 30 inches of Mercury Max.



Serrated Tips Accept
1/4" to 3/8" ID Hoses

4 1/4"
[108mm]

3 5/8"
[93mm]

2 3/16"
[55mm]

11/16"
[18mm]

11/16"
[18mm]

2 11/16"
[68mm]

Bottom View of Turret
(Less Gasket)

1/4" NPT Male
Supply Nipples

Rough-In Requirement:
(2) 1/2" [13mm] Mounting Holes

Product Specifications:

Laboratory Turret: (2) Ball Valve Hose Cocks at 90° w/
(1) Gas Outlet, (1) Air Outlet and 1/4" NPT Supply Nipples

Product Compliance:

ANSI Z21.15a / CSA 9.1a (Gas Valves)
ANSI A117.1 (ADA)



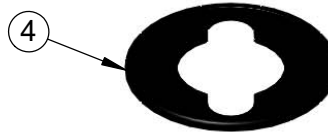
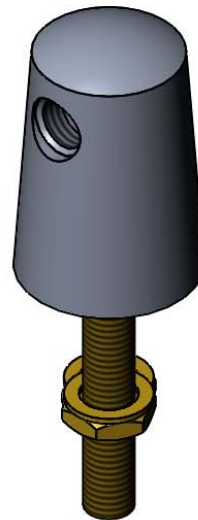
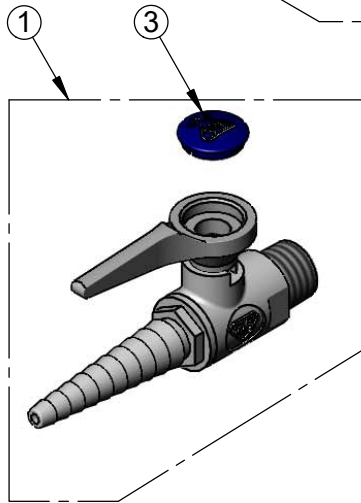
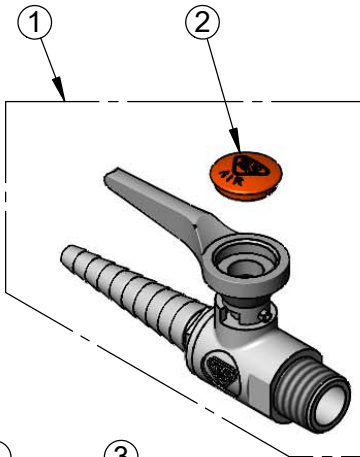
T&S BRASS AND BRONZE WORKS, INC.
 2 Saddleback Cove / P.O. Box 1088
 Travelers Rest, SC 29690

Model No.
BL-4270-02

Item No.

Travelers Rest, SC: 800-476-4103 • Simi Valley, CA: 800-423-0150 • Fax: 864-834-3518 • www.tsbrass.com

| ITEM NO. | SALES NO. | DESCRIPTION |
|----------|-------------|--|
| 1 | BL-4000-01 | Ball Valve Hose Cock w/ GAS, AIR & VAC Indexes |
| 2 | 209L-AIR-NS | Orange "AIR" Lab Button Index |
| 3 | 209L-GAS-NS | Dark Blue "GAS" Lab Button Index |
| 4 | 144L | Black Plastic Gasket |



Product Specifications:

Laboratory Turret: (2) Ball Valve Hose Cocks at 90° w/
 (1) Gas Outlet, (1) Air Outlet and 1/4" NPT Supply Nipples

Product Compliance:

ANSI Z21.15a / CSA 9.1a (Gas Valves)
 ANSI A117.1 (ADA)