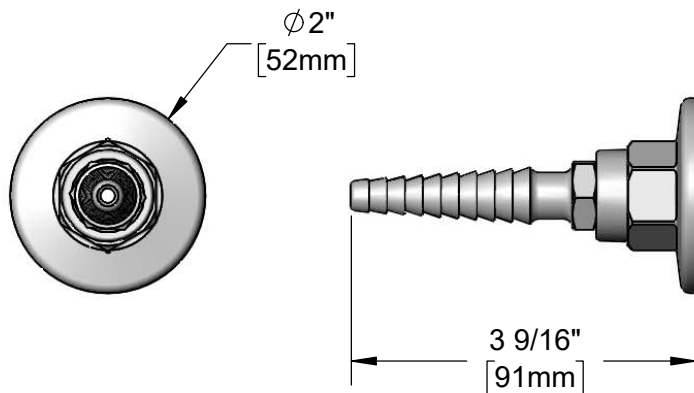
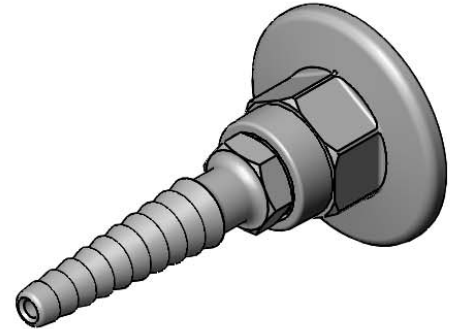




Architect/Engineering Specifications:

Laboratory panel flange with polished chrome plated body, serrated tip outlet (accepts 1/4" to 3/8" I.D. hose) and 3/8" NPT female inlet.

Job Name \_\_\_\_\_  
 Model Specified \_\_\_\_\_ Quantity \_\_\_\_\_  
 Variations Specified \_\_\_\_\_  
 Date \_\_\_\_\_



Features & Benefits:

- Laboratory panel flange with polished chrome plated body
- Serrated tip outlet
- Ø 2" panel flange w/ 3/8" NPT female inlet
- Material: Polished chrome plated brass panel flange

Product Compliance:

- NSF 61 Exempt (Non-Potable)

Warranty: One Year (Limited)

Performance Data:

- Pressure: 20 - 125 psi
- Temperature: 40 °F - 140 °F
- Flow Rate: TBD GPM @ 60 psi

