



ADA Compliant

This Space for Architect/Engineer Approval

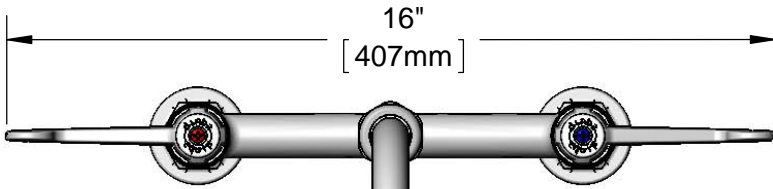
Job Name _____ Date _____

Model Specified _____ Quantity _____

Customer/Wholesaler _____

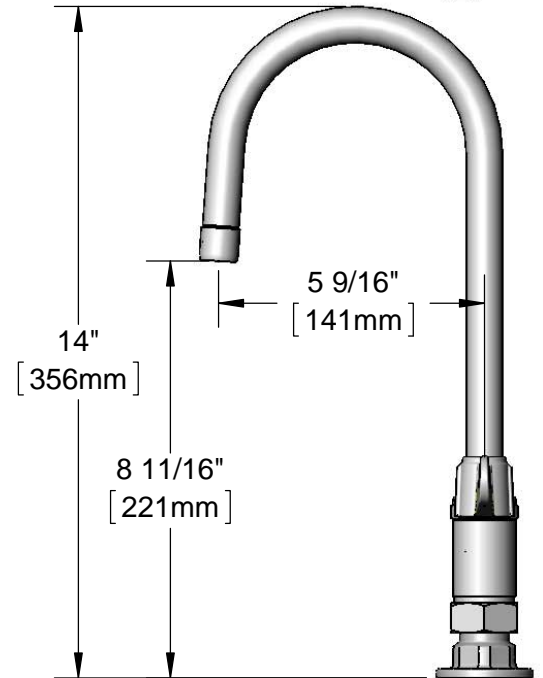
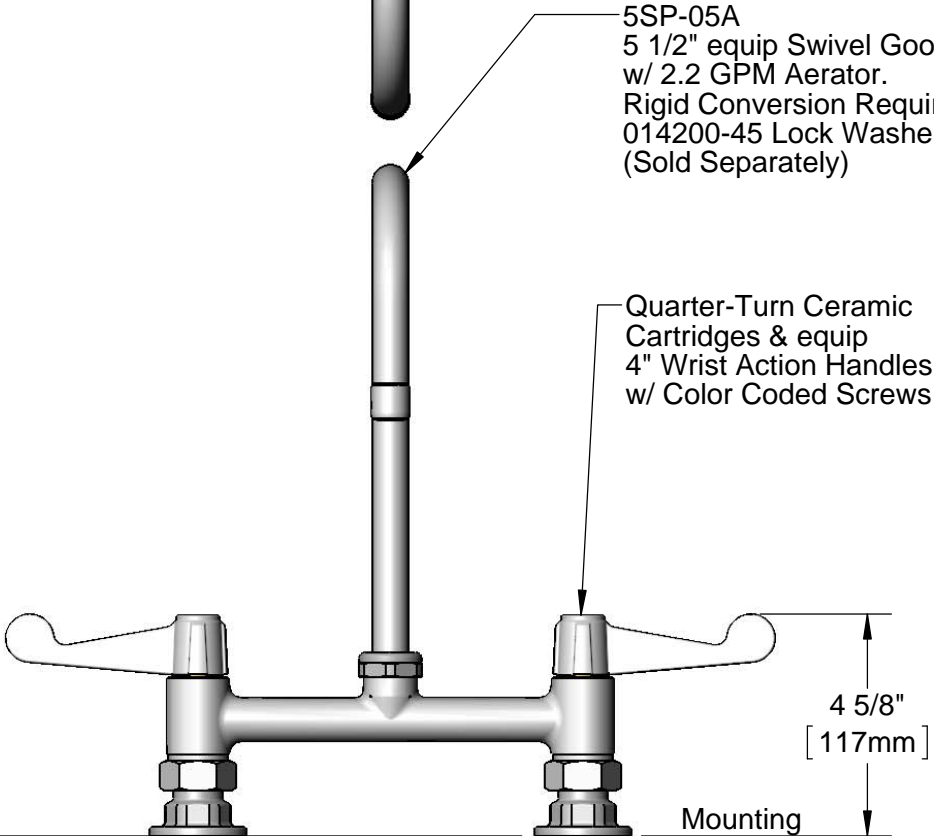
Contractor _____

Architect/Engineer _____



5SP-05A
5 1/2" equip Swivel Gooseneck
w/ 2.2 GPM Aerator.
Rigid Conversion Requires
014200-45 Lock Washer
(Sold Separately)

Quarter-Turn Ceramic
Cartridges & equip
4" Wrist Action Handles
w/ Color Coded Screws



8" [203mm]
Adjustable From
7 3/4" to 8 1/4"
[197mm to 210mm]

4 5/8" [117mm]

Mounting
Surface

Ø 2" [51mm]
Flanges w/
1/2" NPT
Female Inlets



Rough-In Requirement:
(2) Ø 1" [25mm] Mounting Holes

Model Number
5F-8DWS05A

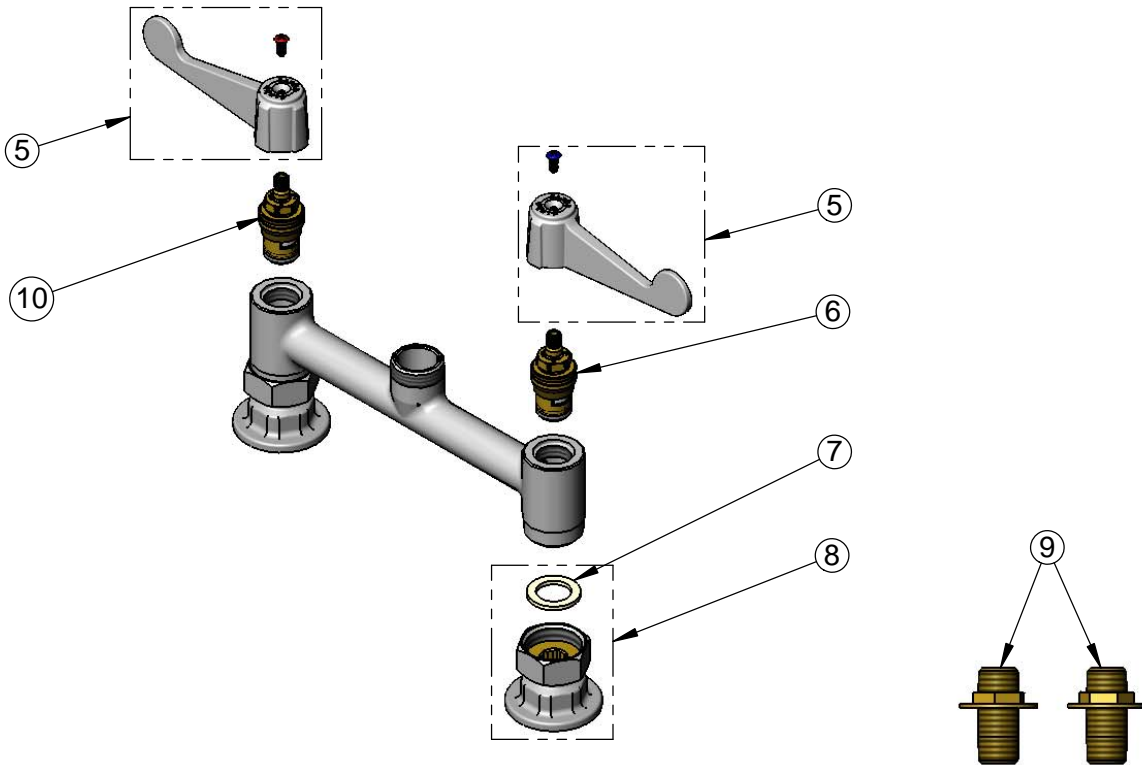
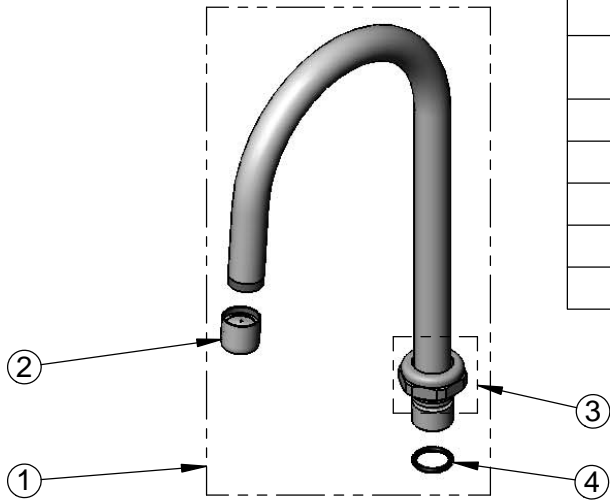
Product Specifications:
**8" Deck Mount Mixing Faucet, Quarter-Turn Ceramic Cartridges,
equip 4" Wrist Action Handles, 5 1/2" equip Swivel Gooseneck,
2.2 GPM Aerator & 1/2" NPT Supply Nipple Kit**

Product Compliance:
ASME A112.18.1 / CSA B125.1
NSF 61 - Section 9
NSF 372 (Low Lead Content)
ANSI A117.1 (ADA)

equip
Foodservice
Accessories

2 Saddleback Cove, P.O. Box 1088
Travelers Rest, South Carolina 29690
Phone: 800.891.4808 Fax: 800.868.0084
equip.tsbrass.com

ITEM NO.	SALES NO.	DESCRIPTION
1	5SP-05A	5 1/2" equip Swivel Gooseneck
2	013838-45	2.2 GPM Aerator, 3/4-27 UN Female
3	013839-25	equip Swivel Nut
4	013848-45	equip Swivel Piece O-Ring
5	5-HDL-W	equip 4" Wrist Action Handle w/ Color Coded Screws
6	013788-45	equip Quarter-Turn Ceramic Cartridge, LTC
7	001019-45	Coupling Nut Washer
8	00AA	1/2" NPT Female Eccentric Flange
9	B-0425-M	1/2" NPT Supply Nipple Kit (2)
10	013787-45	equip Quarter-Turn Ceramic Cartridge, RTC



Model Number

5F-8DWS05A

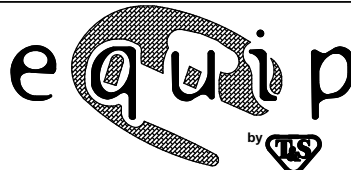
Product Specifications:

8" Deck Mount Mixing Faucet, Quarter-Turn Ceramic Cartridges, equip 4" Wrist Action Handles, 5 1/2" equip Swivel Gooseneck, 2.2 GPM Aerator & 1/2" NPT Supply Nipple Kit

Product Compliance:

ASME A112.18.1 / CSA B125.1
NSF 61 - Section 9
NSF 372 (Low Lead Content)
ANSI A117.1 (ADA)

equip
Foodservice
Accessories



2 Saddleback Cove, P.O. Box 1088
Travelers Rest, South Carolina 29690
Phone: 800.891.4808 Fax: 800.868.0084
equip.tsbrass.com