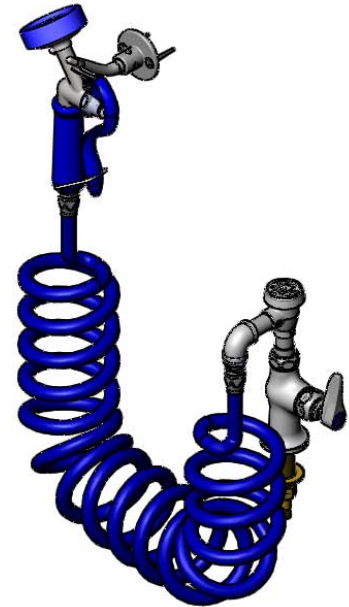
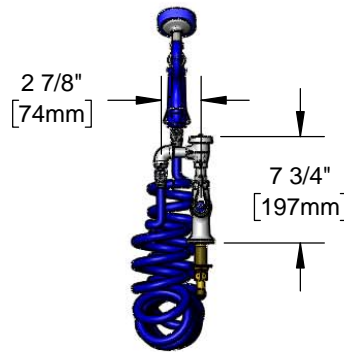
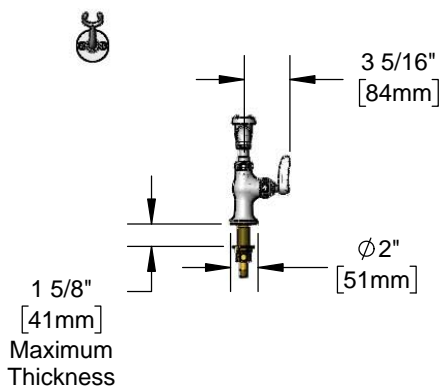




**Architect/Engineering Specifications:**

Single hole, single temperature faucet, compression cartridge with spring check, lever handle, vacuum breaker, 9 ft coiled hose with angled aluminum spray valve, hose hanger hook, and 1/2" NPSM male inlet. Certified to ASME A112.18.1/CSA B125.1 and ASSE 1001.

Job Name \_\_\_\_\_  
 Model Specified \_\_\_\_\_ Quantity \_\_\_\_\_  
 Variations Specified \_\_\_\_\_  
 Date \_\_\_\_\_



**Features & Benefits:**

- Single hole, single temperature faucet w/ chrome plated brass body
- Quarter-turn Eterna compression cartridge w/ spring check
- Lever handle w/ color coded index
- EasyInstall continuous pressure vacuum breaker
- 9 ft coiled hose w/ angled aluminum spray valve
- Hose hanger hook w/ mounting screws
- 1/2" NPSM male inlet
- Materials: Chrome plated body, chrome plated metal handle, polyurethane hose and aluminum spray valve

**Product Compliance:**

- ASME A112.18.1 / CSA B125.1
- NSF 61 Exempt (Non-Potable)
- ASSE 1001 (VB)



**Warranty:** One Year (Limited)

**Performance Data:**

- Pressure: 20 - 125 psi
- Temperature: 40 °F - 140 °F
- Flow Rate: 4.12 GPM @ 60 psi

**Optional Handles**

- 4" Wrist Action
- Lever (Standard)
- 4-Arm

**Optional Cartridges With Checks**

- Quarter-Turn Cerama w/ Check Valve
- Quarter-Turn Eterna w/ Spring Check (Standard)

