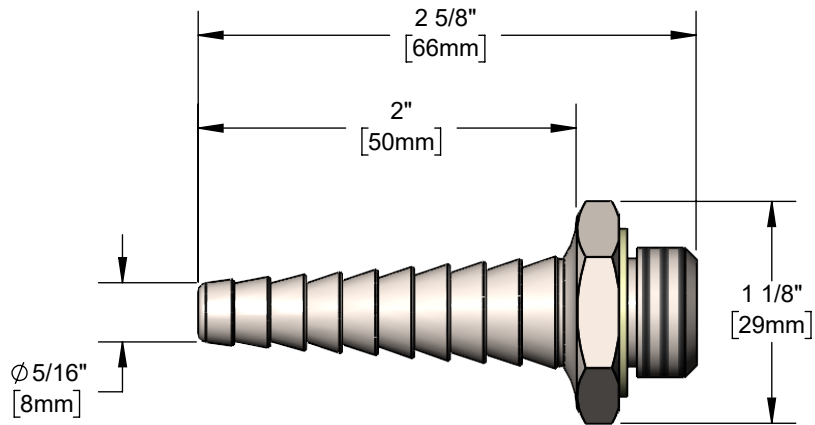
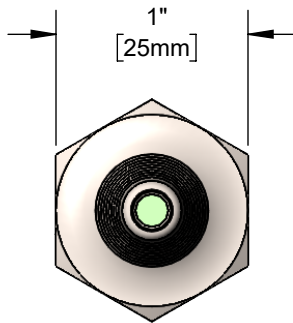
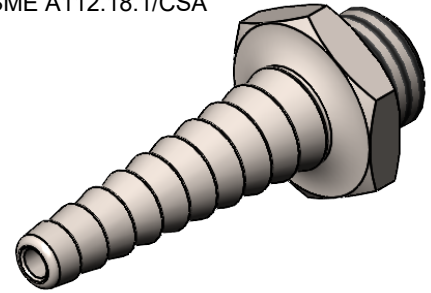




**Architect/Engineering Specifications:**

Serrated tip outlet with stainless steel body, 0.5 GPM flow device and 3/8" NPT male inlet. Certified to ASME A112.18.1/CSA B125.1, NSF 61-Section 9 and NSF 372.

Job Name _____
Model Specified _____ Quantity _____
Variations Specified _____
Date _____



**Features & Benefits:**

- Serrated tip outlet with stainless steel body
- 3/8" NPT male inlet
- 0.5 GPM flow device (lime)
- Serrated hose end accepts rubber or plastic tubing up to 1/2" I.D.
- Material: Stainless steel body

**Product Compliance:**

- ASME A112.18.1 / CSA B125.1
- NSF 61 - Section 9
- NSF 372 (Low Lead Content)

**Warranty:** One Year (Limited)

**Performance Data:**

- Pressure: 20 - 125 PSI [1.38 - 8.62 bar]
- Temperature: 40°F - 140°F [4.44°C - 60°C]
- Flow Rate: 0.5 GPM [1.89 L/min] @ 60 PSI [4.14 bar]

