



**T&S BRASS AND BRONZE WORKS, INC.**  
 2 Saddleback Cove / P.O. Box 1088  
 Travelers Rest, SC 29690

Model No.  
**B-7142-U05WS7BC**

Item No.

Travelers Rest, SC: 800-476-4103 • Simi Valley, CA: 800-423-0150 • Fax: 864-834-3518 • www.tsbrass.com

This Space for Architect/Engineer Approval

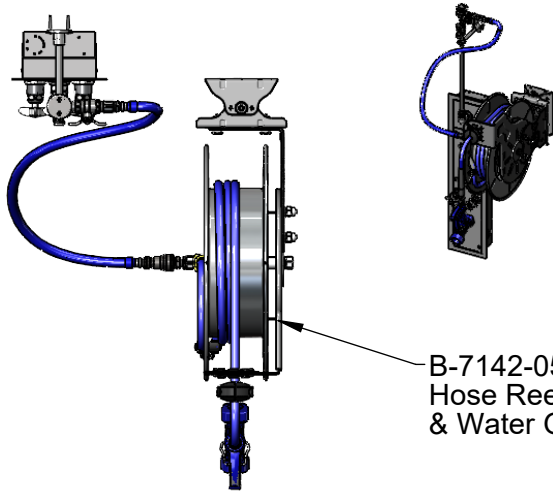
Job Name \_\_\_\_\_ Date \_\_\_\_\_

Model Specified \_\_\_\_\_ Quantity \_\_\_\_\_

Customer/Wholesaler \_\_\_\_\_

Contractor \_\_\_\_\_

Architect/Engineer \_\_\_\_\_



B-7142-05  
 Hose Reel w/ 50 ft x 3/8" Hose  
 & Water Gun

3/8" NPT x 36"  
 Flexible Water  
 Connector

B-0963  
 Continuous Pressure  
 Vacuum Breaker w/  
 Integral Check Valve

Swivel Elbow w/  
 Ø2" [51mm] Flange,  
 1/2" NPT  
 Female Inlet

EasyInstall  
 3/8" NPT x 18" Riser

Stainless Steel  
 Quick Disconnect

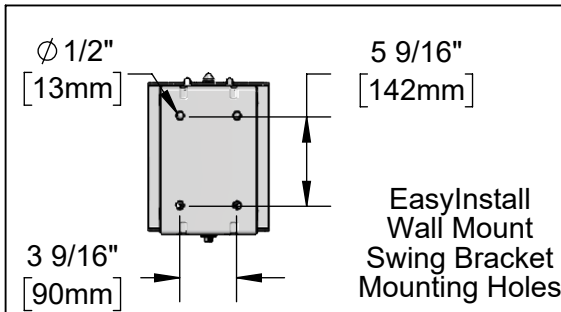
019652-40  
 3/8" NPT  
 Live Swivel

MV-2522-24  
 Stainless Steel  
 Front Trigger  
 Water Gun w/  
 5/16" Orifice

B-0109-01  
 6" Wall  
 Bracket

4-Arm Handles &  
 Quarter-Turn Cerama  
 Cartridges w/ Check Valves

1/2" NPT  
 Female  
 Union Inlets



Product Specifications:

Stainless Steel Hose Reel w/ 50' Hose, High Flow Water Gun w/ Swivel, EasyInstall Recess Mount SS Hose Reel Cabinet w/ Mixing & Control Valve, 4-Arm Handles, Quarter-Turn Ceramas with Check Valves, Dual Check Valves, Inlets for Bottom Supplies, 100 Deg EasyInstall Stainless Steel Swing Bracket w/ Mounting Hardware & Hose Reel Connector Kit

Product Compliance:

NSF 61 Exempt (Non-Potable)  
 ASSE 1056 (VB)  
 2019 DOE PRSV Non-Compliant



# T&S BRASS AND BRONZE WORKS, INC.

2 Saddleback Cove / P.O. Box 1088  
Travelers Rest, SC 29690

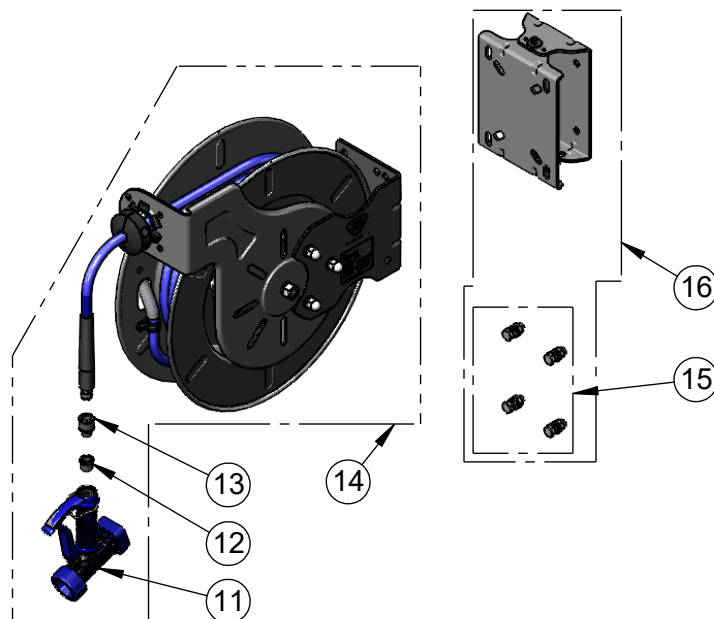
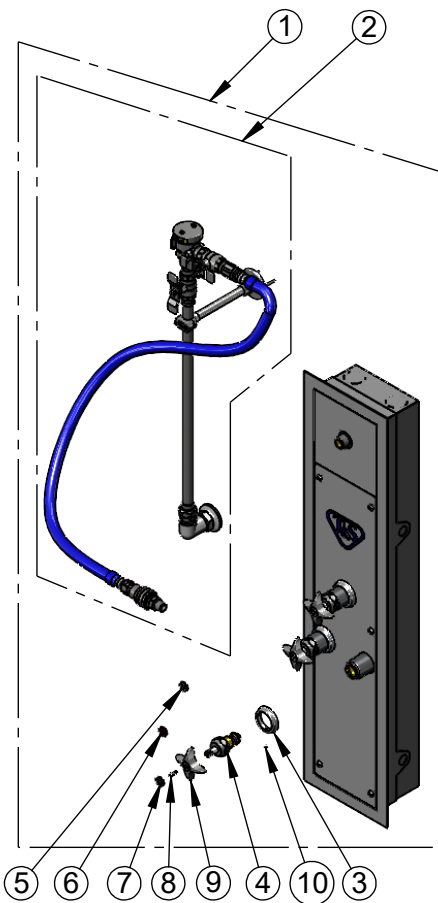
Model No.

**B-7142-U05WS7BC**

Item No.

Travelers Rest, SC: 800-476-4103 • Simi Valley, CA: 800-423-0150 • Fax: 864-834-3518 • www.tsbrass.com

| ITEM NO. | SALES NO.     | DESCRIPTION   |
|----------|---------------|---|
| 1        | B-1460-RMB-CR | EasyInstall Recessed Hose Reel System Cabinet w/ Top Inlets & Ceramas |
| 2        | 0RK-SK        | Hose Reel Connector Kit   |
| 3        | 020839-40     | Narrow Slip Flange w/ Set Screw                                       |
| 4        | 012394-25NS   | Quarter-Turn Cerama Cartridge w/ Check Valve, RTC                     |
| 5        | 001205-19NS   | White Button Index, Press-In  |
| 6        | 001193-19NS   | Red Button Index, Press-in  |
| 7        | 018506-19NS   | Blue Button Index, Press-in   |
| 8        | 000925-45     | Lab Handle Screw  |
| 9        | 002521-45NS   | 4-Arm Handle (New Style)  |
| 10       | 000939-45     | Escutcheon, Set Screw   |
| 11       | MV-2522-24    | Front Trigger Gun, 5/16" Orifice                                      |
| 12       | 001359-40     | Adapter, 1/2" Male x 3/8" Female                                      |
| 13       | 019652-40     | 3/8" NPT Live Swivel  |
| 14       | B-7142-05     | Stainless Steel Reel w/ 50' of 3/8" Hose                              |
| 15       | 019191-45K    | Hose Reel Mounting Kit  |
| 16       | G019430-45    | EasyInstall Hose Reel Stainless Steel Swing Bracket                   |



**Product Specifications:**

Stainless Steel Hose Reel w/ 50' Hose, High Flow Water Gun w/ Swivel, EasyInstall Recess Mount SS Hose Reel Cabinet w/ Mixing & Control Valve, 4-Arm Handles, Quarter-Turn Ceramas with Check Valves, Dual Check Valves, Inlets for Bottom Supplies, 100 Deg EasyInstall Stainless Steel Swing Bracket w/ Mounting Hardware & Hose Reel Connector Kit

**Product Compliance:**

NSF 61 Exempt (Non-Potable)  
ASSE 1056 (VB)  
2019 DOE PRSV Non-Compliant