



Architect/Engineering Specifications:

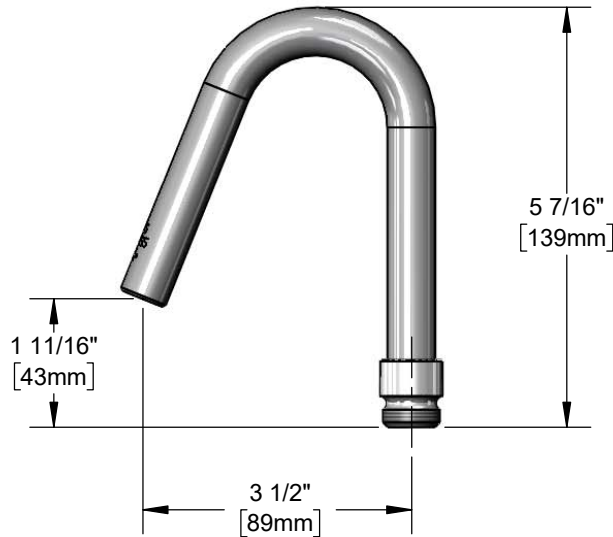
Chrome plated brass rigid hook nozzle with 3/4-14 male inlet and plain end outlet. Certified to NSF 61-Section 9 and NSF 372.

Job Name _____

Model Specified _____ Quantity _____

Variations Specified _____

Date _____



Features & Benefits:

- 3 1/2" rigid hook nozzle
- 3/4-14 male inlet
- Plain end outlet
- Material: Chrome plated brass tubular spout

Product Compliance:

- NSF 61 - Section 9
- NSF 372 (Low Lead Content)



Warranty: One Year (Limited)



Performance Data:

- N/A

