



**T&S BRASS AND BRONZE WORKS, INC.**  
 2 Saddleback Cove / P.O. Box 1088  
 Travelers Rest, SC 29690

Model No.  
**B-0657-BST**

Item No.

Travelers Rest, SC: 800-476-4103 • Simi Valley, CA: 800-423-0150 • Fax: 864-834-3518 • www.tsbrass.com

This Space for Architect/Engineer Approval

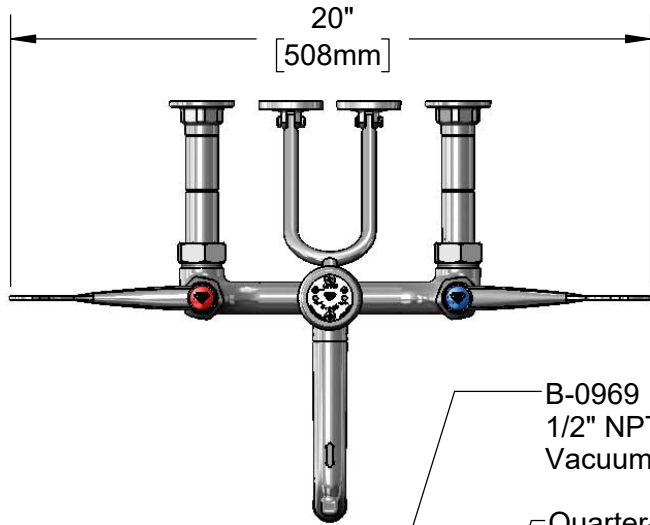
Job Name \_\_\_\_\_ Date \_\_\_\_\_

Model Specified \_\_\_\_\_ Quantity \_\_\_\_\_

Customer/Wholesaler \_\_\_\_\_

Contractor \_\_\_\_\_

Architect/Engineer \_\_\_\_\_



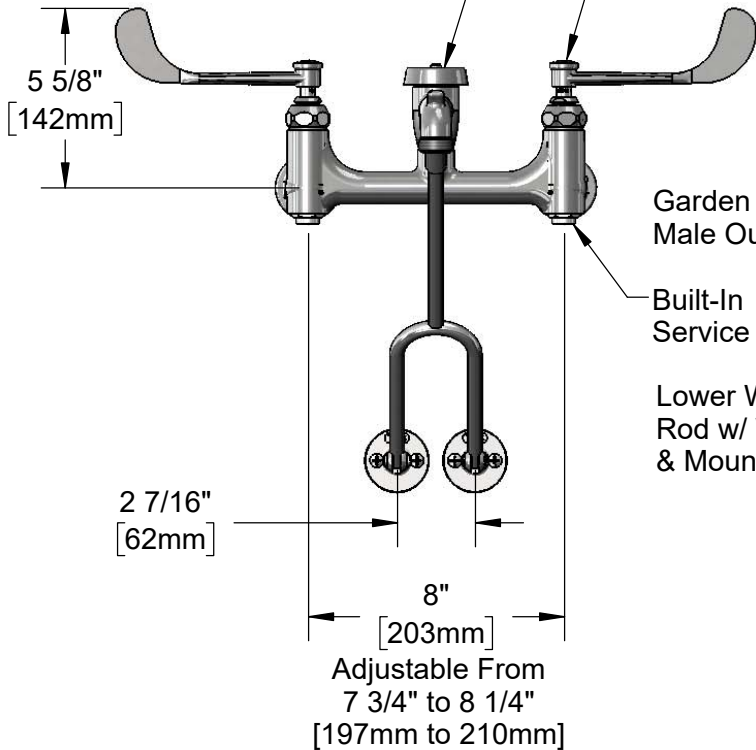
  
**ADA Compliant**



B-0969  
 1/2" NPT  
 Vacuum Breaker

Quarter-Turn Eterna  
 Cartridges w/ Spring  
 Checks & 6" Wrist Action  
 Handles w/ Color  
 Coded Indexes

Ø2" [51mm] Flanges w/  
 1/2" NPT Female Inlets



Garden Hose  
 Male Outlet

Built-In  
 Service Stops

Lower Wall Support  
 Rod w/ Wall Bracket  
 & Mounting Screws

Extensions

8 1/2"  
 [216mm]

6 3/16"  
 [157mm]

12 5/8"  
 [321mm]

Mounting Surface

**Product Specifications:**

8" Service Sink Faucet, Quarter-Turn Eterna Cartridges w/ Spring Checks, 6" Polished Chrome Plated Brass Wrist Action Handles, Lower Support Rod, Built-In Stops, Garden Hose Male Outlet, Polished Chrome Finish, 1/2" NPT Vacuum Breaker & 1/2" NPT Female Extended Inlets

**Product Compliance:**

ASME A112.18.1 / CSA B125.1  
 NSF 61-Section 9  
 NSF 372 (Low Lead Content)  
 ANSI A117.1 (ADA)  
 ASSE 1001 (VB)



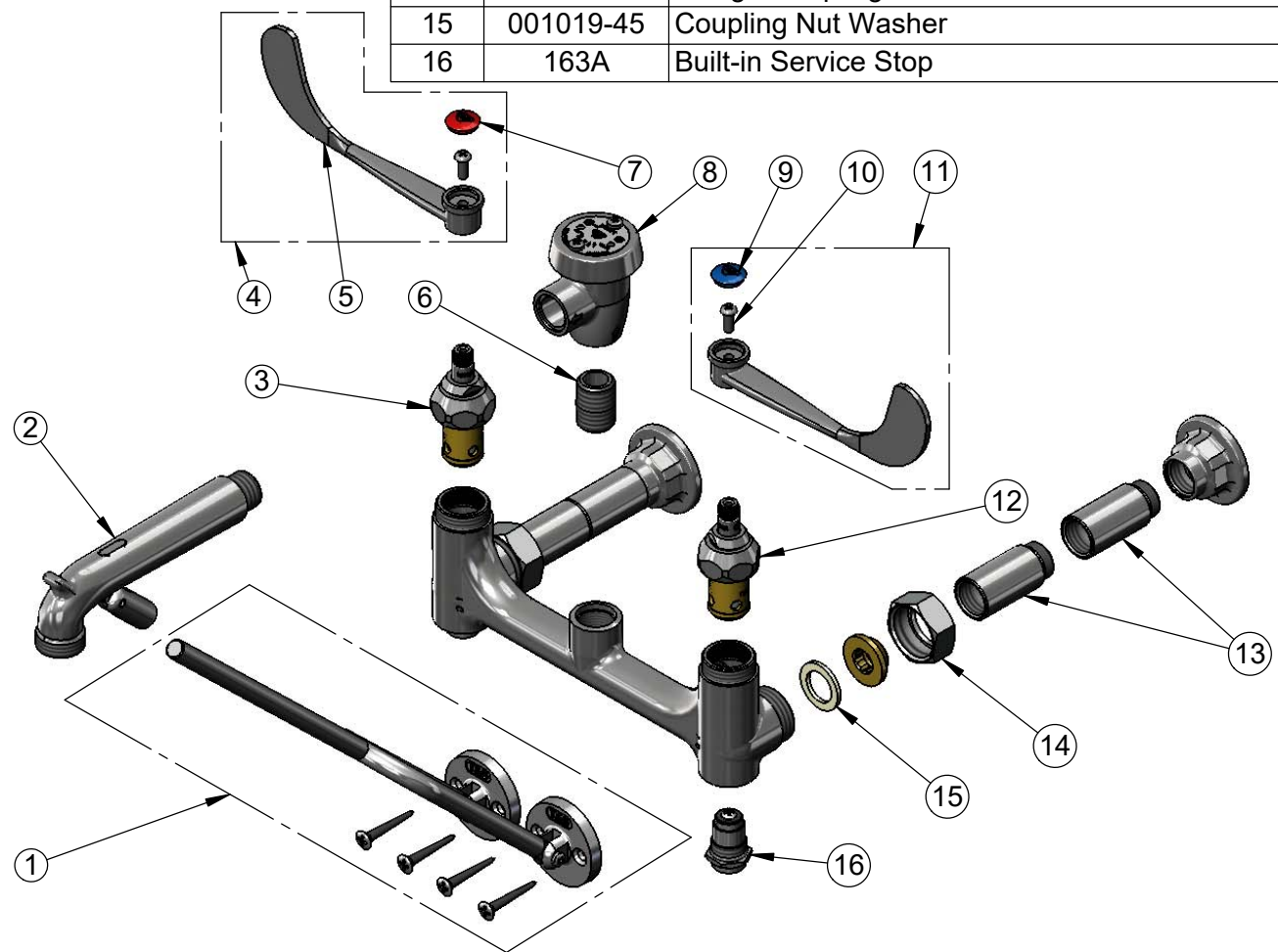
**T&S BRASS AND BRONZE WORKS, INC.**  
 2 Saddleback Cove / P.O. Box 1088  
 Travelers Rest, SC 29690

Model No.  
**B-0657-BST**

Item No.

Travelers Rest, SC: 800-476-4103 • Simi Valley, CA: 800-423-0150 • Fax: 864-834-3518 • www.tsbrass.com

ITEM NO.	SALES NO.	DESCRIPTION
1	009616-40	Lower Support Rod w/ Mounting Screws
2	016450-40	Spout w/ Male GH Outlet & Lower Clevis - Polished Chrome
3	012443-40NS	Quarter-Turn Eterna Cartridge w/ Spring Check, RTC
4	B-WH6H-NS	6" Wrist Action Handle, Red Index & Screw
5	B-WH6	6" Wrist Action Handle
6	002534-25	Close Nipple, 1/2" NPT
7	001193-19NS	Red Button Index, Press-in
8	B-0969	1/2" NPT Vacuum Breaker
9	018506-19NS	Blue Button Index, Press-in
10	000925-45	Lab Handle Screw
11	B-WH6C-NS	6" Wrist Action Handle, Blue Index & Screw
12	012442-40NS	Quarter-Turn Eterna Cartridge w/ Spring Check, LTC
13	000611-25	Extension, 1 3/4" Long
14	000721-25	Flange Coupling Nut
15	001019-45	Coupling Nut Washer
16	163A	Built-in Service Stop



**Product Specifications:**  
 8" Service Sink Faucet, Quarter-Turn Eterna Cartridges w/ Spring Checks, 6" Polished Chrome Plated Brass Wrist Action Handles, Lower Support Rod, Built-In Stops, Garden Hose Male Outlet, Polished Chrome Finish, 1/2" NPT Vacuum Breaker & 1/2" NPT Female Extended Inlets

**Product Compliance:**  
 ASME A112.18.1 / CSA B125.1  
 NSF 61-Section 9  
 NSF 372 (Low Lead Content)  
 ANSI A117.1 (ADA)  
 ASSE 1001 (VB)