

T&S BRASS AND BRONZE WORKS, INC.
 2 SADDLEBACK COVE / P.O. BOX 1088 / TRAVELERS REST, SC 29690
 PHONE 800-476-4103 FAX 864- 834-3518



Model No.

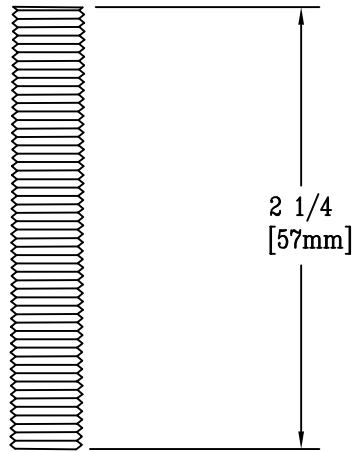
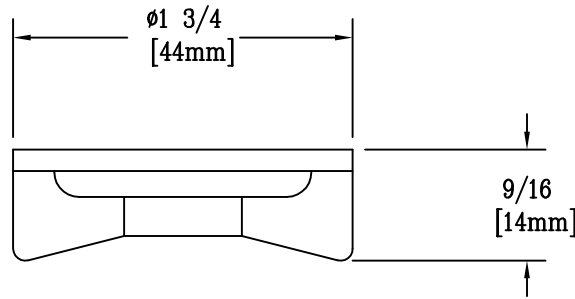
014162-45

Item No.:

Job Name:

Architect/Engineer Approval:

Notes:



NOTES:

1. MODELS USED IN:

B-2730, B-2730-07, B-2730-LH, B-2731, B-2731-LH

2. (2) FURNISHED OF EACH

Product Description:

Drawn:

TEH

Checked

WJS

Scale:

1 : 1

SIDE MOUNTING POST LOCKNUT KIT

Approved

MVW

Date:

4/12/04