



**Glass Fillers**  
**B-1957**

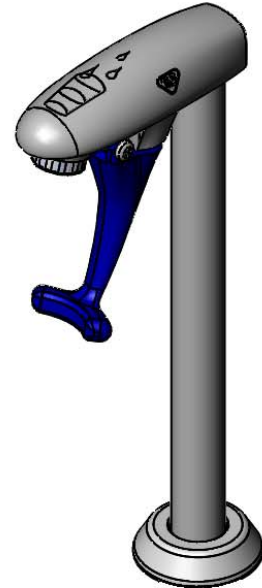
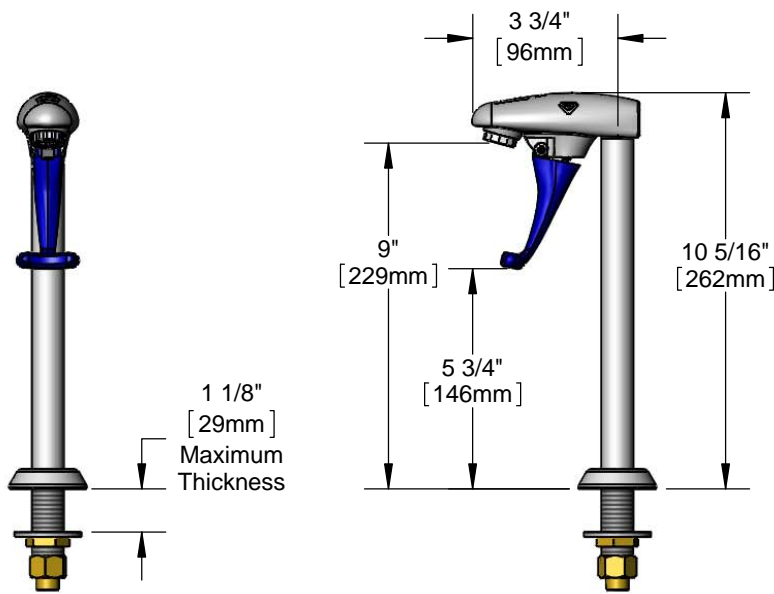
TAG:

*Push Back Glass Filler*

**Architect/Engineering Specifications:**

9" high deck mount glass filler with polished chrome plated brass body, adjustable flow outlet, push back actuation arm, pedestal with adjustable deck flange and 1/2" NPT male inlet. Certified to ASME A112.18.1/CSA B125.1, NSF 61-Section 9 and NSF 372. Meets ADA ANSI/ICC A117.1 requirements.

Job Name \_\_\_\_\_  
 Model Specified \_\_\_\_\_ Quantity \_\_\_\_\_  
 Variations Specified \_\_\_\_\_  
 Date \_\_\_\_\_



**Features & Benefits:**

- 9" high deck mount glass filler
- Torx wrench adjustable flow outlet (wrench included)
- Dark blue push back arm
- Instantaneous shut-off
- 1/2" NPT male inlet
- Pedestal w/ adjustable Ø 2" flange
- Material: Polished chrome plated brass body & pedestal, chrome plated metal flange and thermoplastic arm

**Product Compliance:**

- ASME A112.18.1 / CSA B125.1
- NSF 61 - Section 9
- NSF 372 (Low Lead Content)
- ANSI A117.1 (ADA)

**Warranty:** One Year (Limited)

**Performance Data:**

- Pressure: 20 - 125 psi
- Temperature: 40 °F - 140 °F
- Flow Rate: 0.25 GPM min @ 60 psi  
2.25 GPM max @ 60 psi



ADA Compliant



**T&S BRASS AND BRONZE WORKS, INC.**



• 2 Saddleback Cove • Travelers Rest, SC 29690  
 Ph 800-476-4103 • Fax 864-834-3518  
 • Simi Valley, CA • Ph 800-423-0150 • www.tsbrass.com

Date: 09/30/16