



T&S BRASS AND BRONZE WORKS, INC.

2 Saddleback Cove / P.O. Box 1088
Travelers Rest, SC 29690

Model No.

B-0318-02

Item No.

Travelers Rest, SC: 800-476-4103 • Simi Valley, CA: 800-423-0150 • Fax: 864-834-3518 • www.tsbrass.com



ADA Compliant

This Space for Architect/Engineer Approval

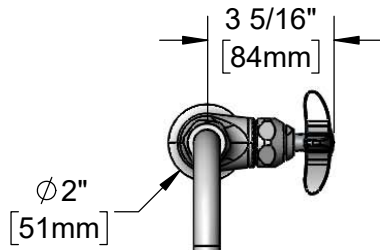
Job Name _____ Date _____

Model Specified _____ Quantity _____

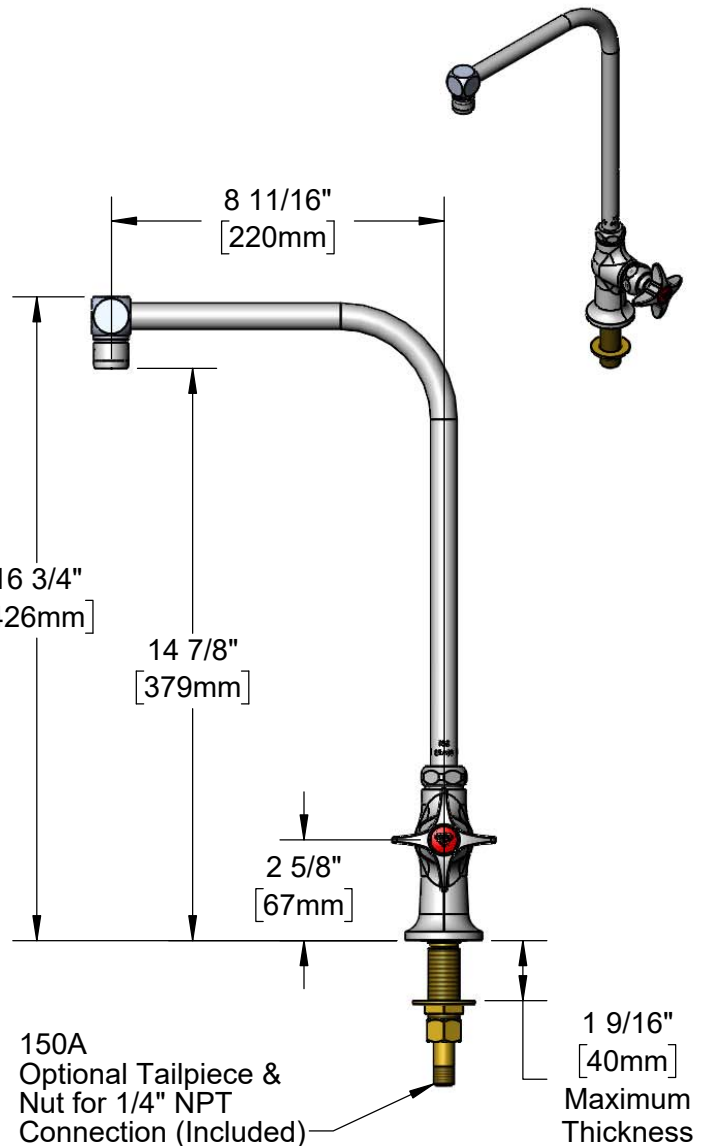
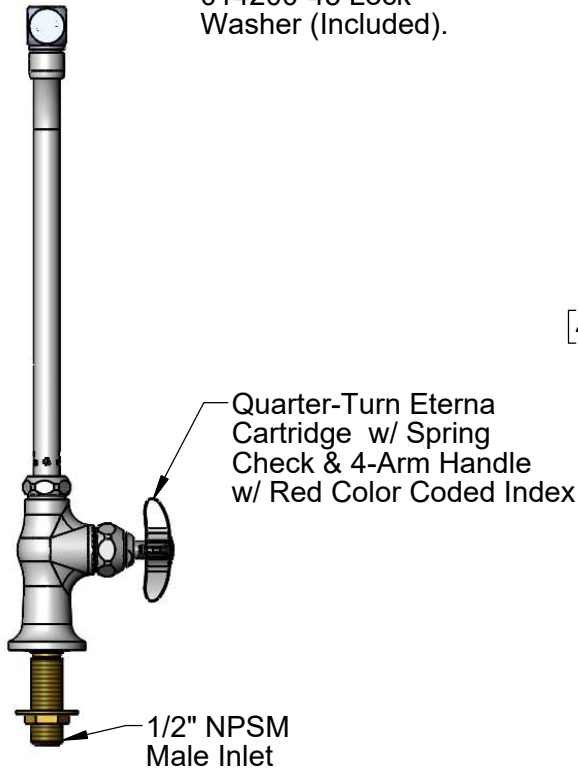
Customer/Wholesaler _____

Contractor _____

Architect/Engineer _____



90° High-Arc Swivel/Rigid Gooseneck w/ 360° Rotation & B-0199-01 2.2 GPM Aerator. Converts to Rigid w/ 014200-45 Lock Washer (Included).



Rough-in Requirement:
(1) ϕ 1" [25mm] Mounting Hole

Product Specifications:

Single Hole Single Temperature Deck Mount Faucet with Polished Chromed Plated Brass Body, 8 11/16" 90 Degree High-Arc Swivel/Rigid Gooseneck w/ 2.2 GPM Aerator, Quarter-Turn Eterna Cartridge w/ Spring Check, 4 Arm Handle & Red Color Coded Index

Product Compliance:

ASME A112.18.1 / CSA B125.1
NSF 61 - Section 9
NSF 372 (Low Lead Content)
ANSI A117.1 (ADA)



T&S BRASS AND BRONZE WORKS, INC.

2 Saddleback Cove / P.O. Box 1088
Travelers Rest, SC 29690

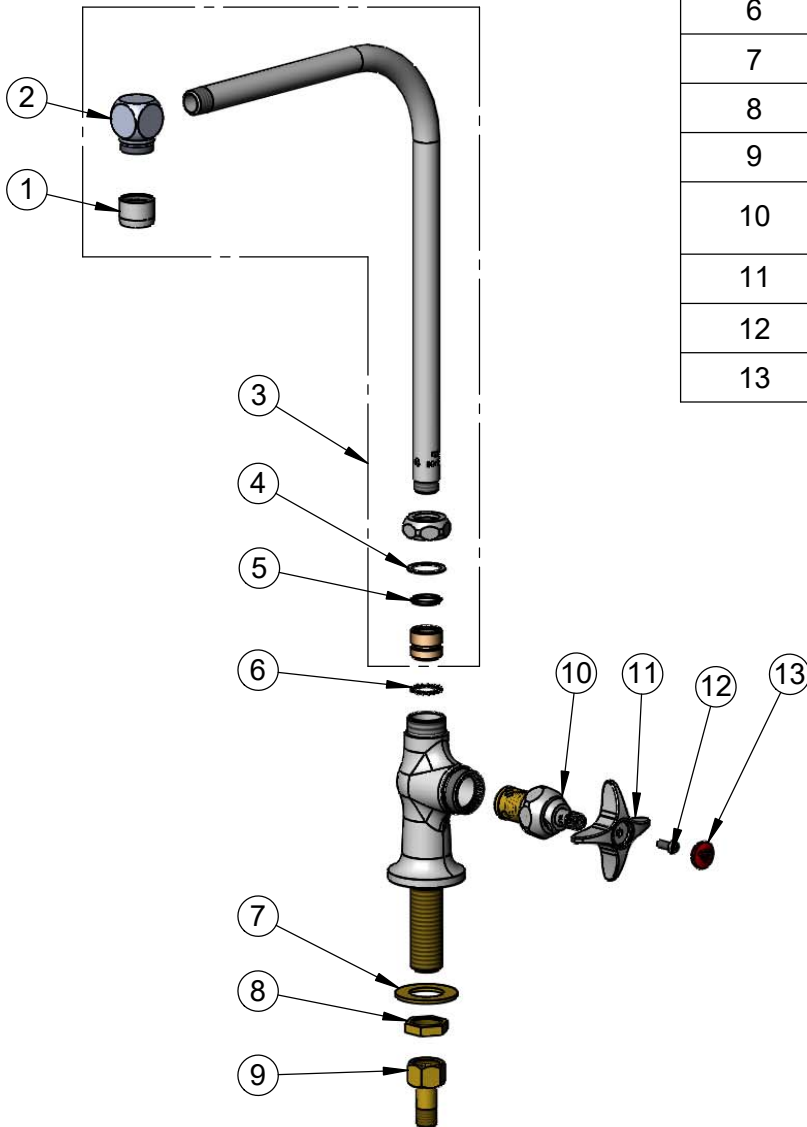
Model No.

B-0318-02

Item No.

Travelers Rest, SC: 800-476-4103 • Simi Valley, CA: 800-423-0150 • Fax: 864-834-3518 • www.tsbrass.com

ITEM NO.	SALES NO.	DESCRIPTION
1	B-0199-01	2.2 GPM Aerator, 55/64-27 UN Female
2	002823-40	Cube
3	017778-40	90° High-Arc Swivel/Rigid Gooseneck
4	009538-45	Swivel Washer
5	001074-45	O-Ring
6	014200-45	Star Washer, Anti-Rotation
7	000999-45	Brass Lock Washer
8	002954-45	Shank Lock Nut
9	150A	1/4" NPT Tailpiece & Nut
10	012443-40NS	Quarter-Turn Eterna Cartridge w/ Spring Check, RTC
11	002521-45NS	4-Arm Handle (New Style)
12	000925-45	Lab Handle Screw
13	001193-19NS	Red Button Index, Press-in



Product Specifications:

Single Hole Single Temperature Deck Mount Faucet with Polished Chromed Plated Brass Body, 8 11/16" 90 Degree High-Arc Swivel/Rigid Gooseneck w/ 2.2 GPM Aerator, Quarter-Turn Eterna Cartridge w/ Spring Check, 4 Arm Handle & Red Color Coded Index

Product Compliance:

ASME A112.18.1 / CSA B125.1
NSF 61 - Section 9
NSF 372 (Low Lead Content)
ANSI A117.1 (ADA)