


ADA Compliant

This Space for Architect/Engineer Approval

Job Name _____ Date _____

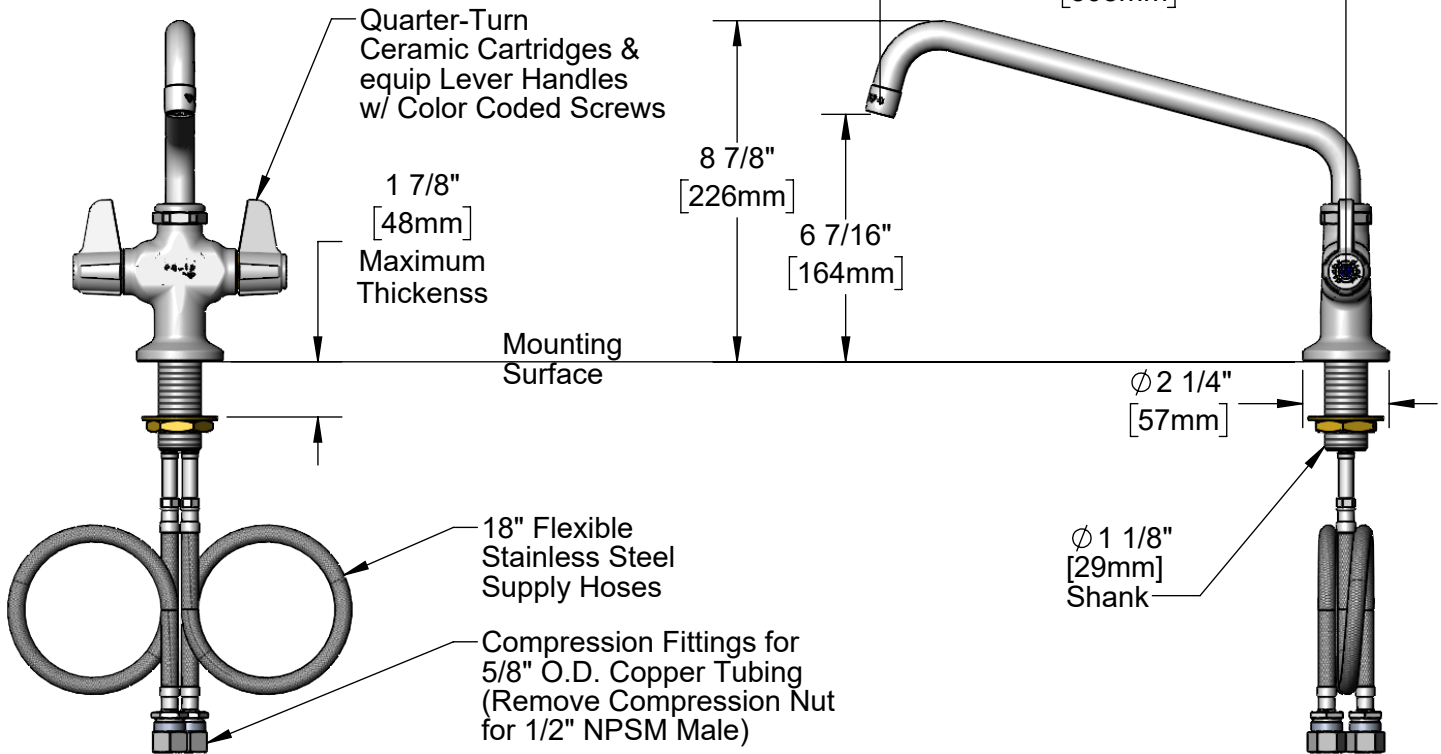
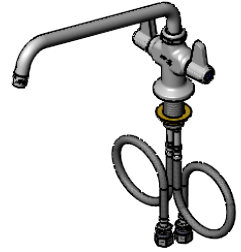
Model Specified _____ Quantity _____

Customer/Wholesaler _____

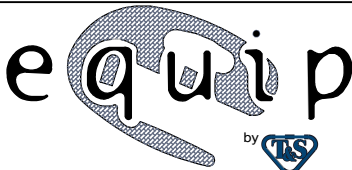
Contractor _____

Architect/Engineer _____

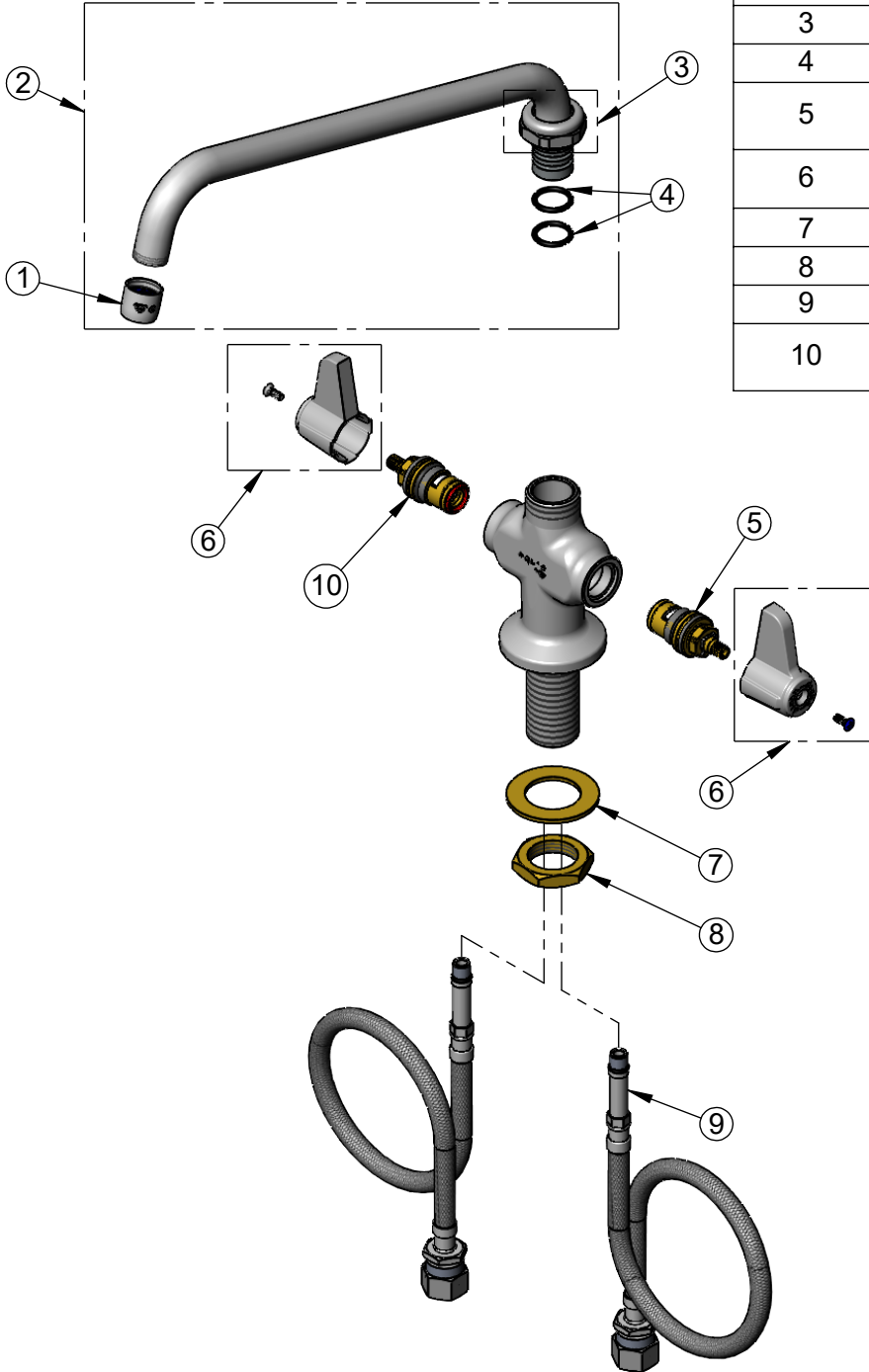
5SP-12
 12" equip Swing Nozzle
 w/ Laminar Flow Device.
 Rigid Conversion Requires
 014200-45 Lock Washer
 (Sold Separately)



Rough-In Requirement:
 Ø 1 1/2" [38mm] Mounting Hole

Model Number <p style="text-align: center;">5F-2SLX12</p>	Product Specifications: <p style="text-align: center;">Single Hole Deck Mount Mixing Faucet w/ Quarter-Turn Ceramic Cartridges, equip Lever Handles, 12" equip Swing Nozzle & 18" Flexible Inlets</p>				
Product Compliance: ASME A112.18.1 / CSA B125.1 NSF 61 - Section 9 NSF 372 (Low Lead Content) ANSI A117.1 (ADA)	<div style="display: flex; justify-content: space-between; align-items: center;"> <div data-bbox="609 1906 738 1984"> <p>equip Foodservice Accessories</p> </div> <div data-bbox="747 1858 1096 2026" style="text-align: center;">  </div> <div data-bbox="1104 1896 1550 1995"> <p>2 Saddleback Cove, P.O. Box 1088 Travelers Rest, South Carolina 29690 Phone: 800.891.4808 Fax: 800.868.0084 equip.tsbrass.com</p> </div> </div>				
Drawn: TRK	Checked: JRM	Approved: JHB	Date: 07/03/24	Scale: 1:5	Sheet: 1 of 2

ITEM NO.	SALES NO.	DESCRIPTION
1	014250-45	Laminar Flow Device
2	5SP-12	12" equip Swing Nozzle
3	013839-25	equip Swivel Nut
4	013848-45	equip Swivel Piece O-Ring
5	013788-45	equip Quarter-Turn Ceramic Cartridge, LTC
6	5-HDL-L	equip Lever Handle w/ Color Coded Screws
7	002290-45	Lock Washer
8	000965-45	Lock Nut
9	012534-45	18" Flexible Supply Hose (2)
10	013787-45	equip Quarter-Turn Ceramic Cartridge, RTC



Model Number

5F-2SLX12

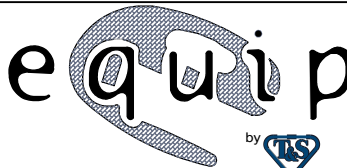
Product Specifications:

Single Hole Deck Mount Mixing Faucet w/ Quarter-Turn Ceramic Cartridges, equip Lever Handles, 12" equip Swing Nozzle & 18" Flexible Inlets

Product Compliance:

ASME A112.18.1 / CSA B125.1
NSF 61 - Section 9
NSF 372 (Low Lead Content)
ANSI A117.1 (ADA)

equip
Foodservice
Accessories



2 Saddleback Cove, P.O. Box 1088
Travelers Rest, South Carolina 29690
Phone: 800.891.4808 Fax: 800.868.0084
equip.tsbrass.com

Drawn: TRK

Checked: JRM

Approved: JHB

Date: 07/03/24

Scale: NTS

Sheet: 2 of 2