



T&S BRASS AND BRONZE WORKS, INC.
 2 Saddleback Cove / P.O. Box 1088
 Travelers Rest, SC 29690

Model No.

B-0331-6GNWS

Item No.

Travelers Rest, SC: 800-476-4103 • Simi Valley, CA: 800-423-0150 • Fax: 864-834-3518 • www.tsbrass.com



ADA Compliant

This Space for Architect/Engineer Approval

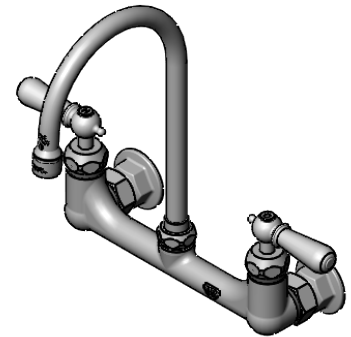
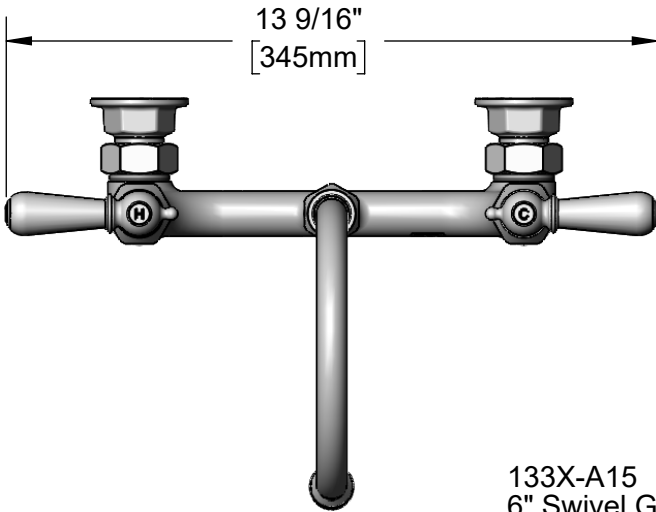
Job Name _____ Date _____

Model Specified _____ Quantity _____

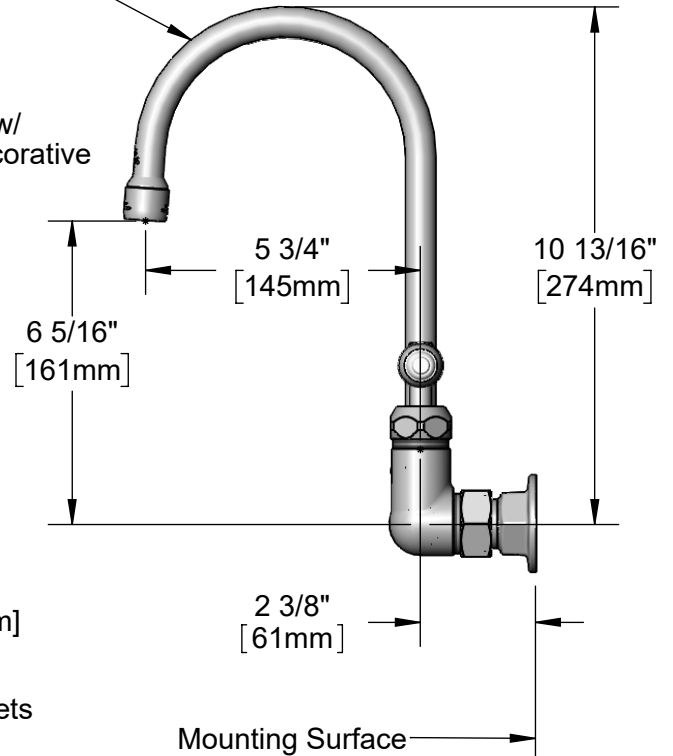
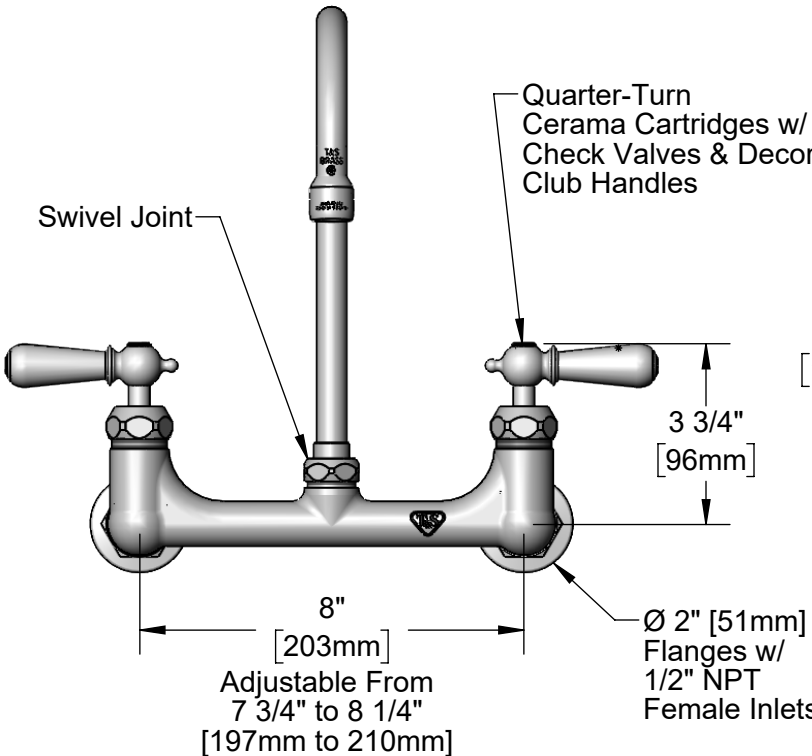
Customer/Wholesaler _____

Contractor _____

Architect/Engineer _____



133X-A15
 6" Swivel Gooseneck
 w/ 1.5 GPM Aerator
 Converts to Rigid w/
 014200-45
 Lock Washer (Included).



Product Specifications:
 8" Wall Mount Mixing Faucet, Quarter-Turn Cerama Cartridges w/
 Check Valves, Decorative Club Handles, 6" Swivel/Rigid Gooseneck
 w/ 1.5 GPM Aerator & 1/2" NPT Female Inlets

Product Compliance:
 ASME A112.18.1 / CSA B125.1
 NSF 61 - Section 9
 NSF 372 (Low Lead Content)
 ANSI A117.1 (ADA)



T&S BRASS AND BRONZE WORKS, INC.

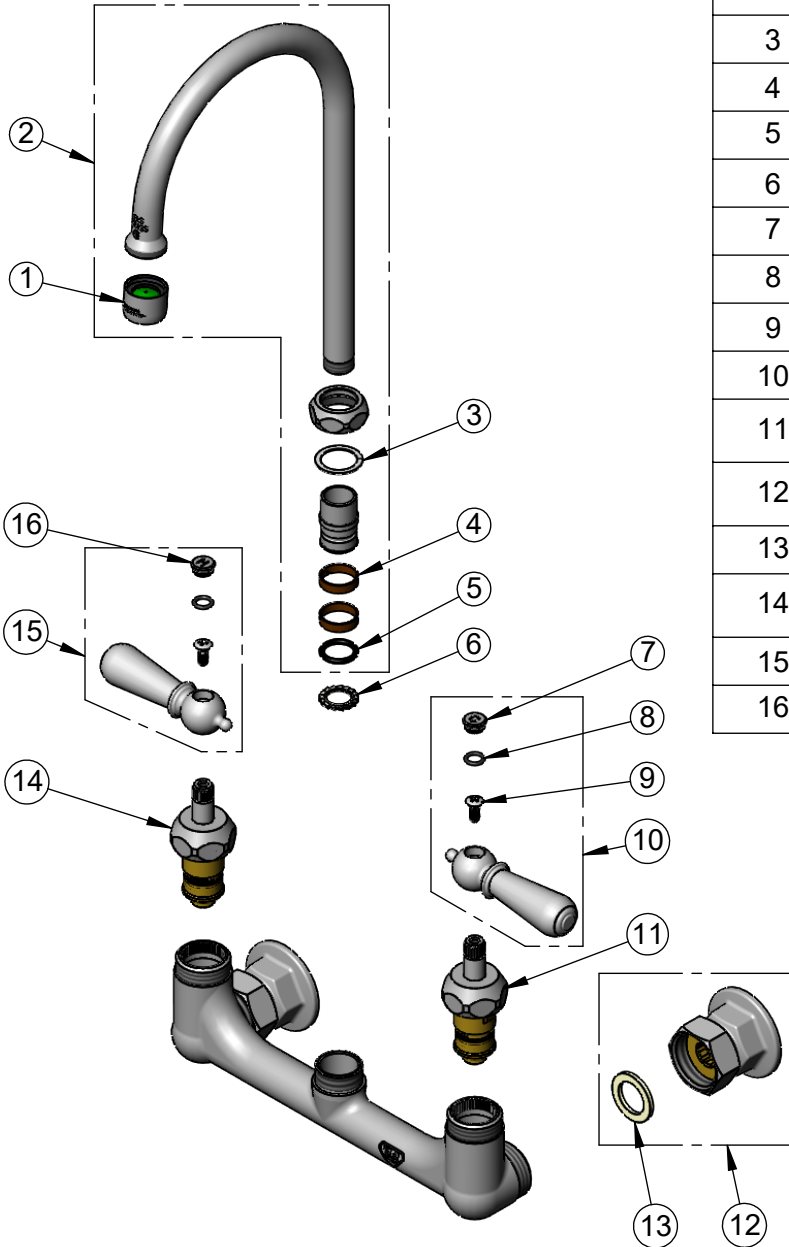
2 Saddleback Cove / P.O. Box 1088
Travelers Rest, SC 29690

Model No.

B-0331-6GNWS

Item No.

Travelers Rest, SC: 800-476-4103 • Simi Valley, CA: 800-423-0150 • Fax: 864-834-3518 • www.tsbrass.com



| ITEM NO. | SALES NO. | DESCRIPTION |
|----------|--------------|---|
| 1 | B-0199-01-WS | 1.5 GPM Aerator, 55/64-27 Female |
| 2 | 133X-A15 | 6" Swivel Gooseneck w/ 1.5 GPM Aerator |
| 3 | 009538-45 | Swivel Washer |
| 4 | 011429-45 | Swivel Sleeves (2) |
| 5 | 001074-45 | O-Ring |
| 6 | 014200-45 | Star Washer, Anti-Rotation |
| 7 | 009304-41 | Decorative Cap Insert, Cold |
| 8 | 001066-45 | O-Ring |
| 9 | 000922-45 | Lever Handle Screw |
| 10 | 009331-41 | Decorative Club Handle - Cold |
| 11 | 012395-25NS | Quarter-Turn Cerama Cartridge w/ Check Valve, LTC |
| 12 | 00AA | 1/2" NPT Female Eccentric Flange |
| 13 | 001019-45 | Coupling Nut Washer |
| 14 | 012394-25NS | Quarter-Turn Cerama Cartridge w/ Check Valve, RTC |
| 15 | 009332-41 | Decorative Club Handle - Hot |
| 16 | 009303-41 | Decorative Cap Insert, Hot |

Product Specifications:
8" Wall Mount Mixing Faucet, Quarter-Turn Cerama Cartridges w/ Check Valves, Decorative Club Handles, 6" Swivel/Rigid Gooseneck w/ 1.5 GPM Aerator & 1/2" NPT Female Inlets

Product Compliance:
ASME A112.18.1 / CSA B125.1
NSF 61 - Section 9
NSF 372 (Low Lead Content)
ANSI A117.1 (ADA)