



# Epoxy Coated Retractable Hose Reels

TAG:

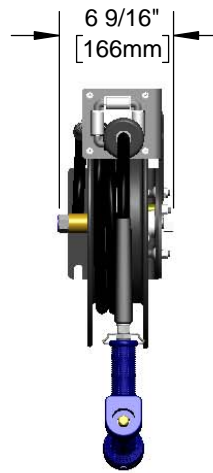
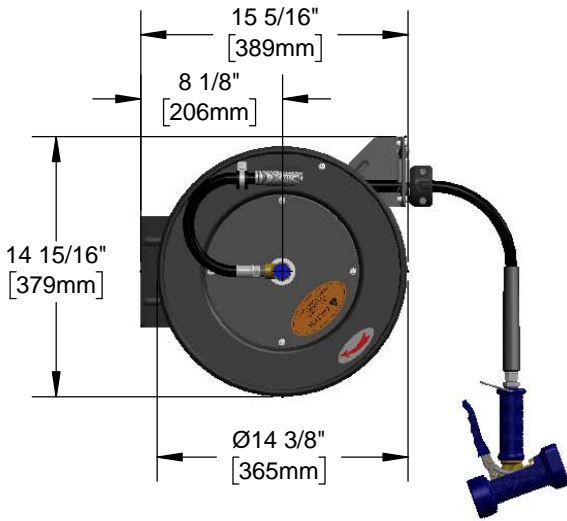
## 5HR-232-12-A

### Open Epoxy Coated Steel Hose Reel

#### Architect/Engineering Specifications:

Open epoxy coated steel hose reel with front trigger brass water gun, 3/8" x 35' hose, ratcheting system, multi-fit bracket, adjustable hose bumper, reducing adapter and 3/8" NPT female inlet.

Job Name	_____		
Model Specified	_____	Quantity	_____
Variations Specified	_____		
Date	_____		



#### Features & Benefits:

- Open coated hose reel
- Front trigger brass water gun
- 3/8" x 35' hose
- Ratcheting system holds the length of hose until a slight tug to retract automatically
- 3/8" NPT female inlet
- Adjustable hose bumper
- 3/8" NPT male x 1/2" NPT female reducing adapter included
- Multi-fit bracket for wall, ceiling or under counter mounting
- Material: Epoxy coated steel open reel and wall bracket, polished chrome plated spray valve

#### Product Compliance:

- EPAAct 2005 Non-Compliant (PRSV)
- NSF 61 Exempt (Non-Potable)

#### Warranty: One Year (Limited)

- Hose: One Year (Limited)

#### Performance Data:

- Pressure: 20 - 125 psi
- Temperature: 40 °F - 140 °F
- Flow Rate: 4.20 GPM @ 60 psi



equip Foodservice Accessories



• 2 Saddleback Cove • Travelers Rest, SC 29690  
 Ph 800-891-4808 • Fax 800-868-0084  
[www.tsbrass.com](http://www.tsbrass.com)

Date: 04/06/17