



T&S BRASS AND BRONZE WORKS, INC.

2 Saddleback Cove / P.O. Box 1088
Travelers Rest, SC 29690

Model No.

S-0467

Item No.

Travelers Rest, SC: 800-476-4103 • Simi Valley, CA: 800-423-0150 • Fax: 864-834-3518 • www.tsbrass.com

This Space for Architect/Engineer Approval

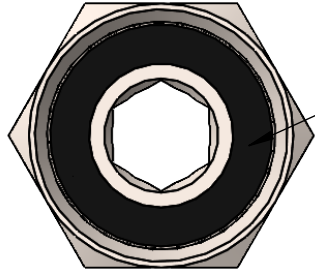
Job Name _____ Date _____

Model Specified _____ Quantity _____

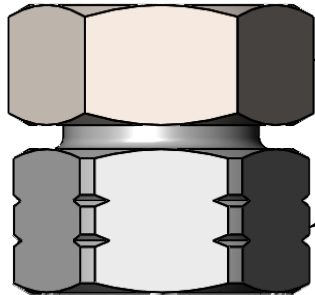
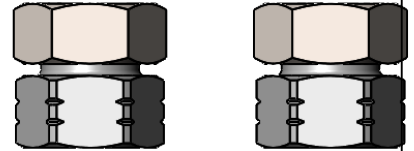
Customer/Wholesaler _____

Contractor _____

Architect/Engineer _____

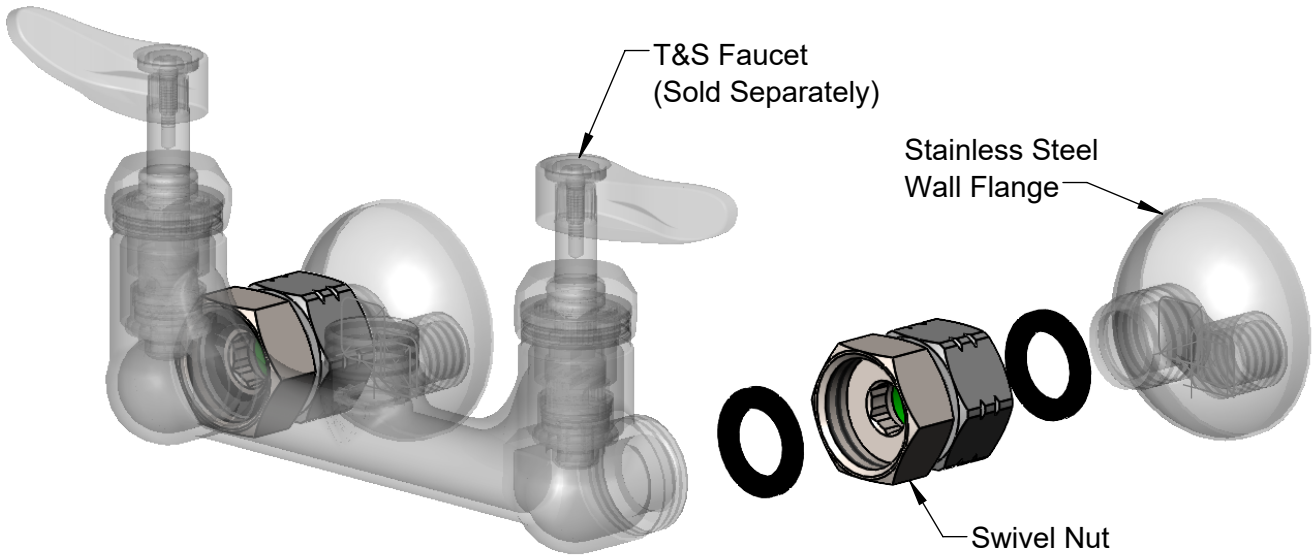


Supplied with (2)
EPDM Washer
per Assembly
(1 each end)



1 3/8" [35mm] Swivel Hex
Nut with 1.26-14 UN Female
Thread to fit T&S Faucet Body

1 3/8" [35mm] Hex on Body.
G3/4 Female Threads to fit T&S
Stainless Steel Wall Flanges



T&S Faucet
(Sold Separately)

Stainless Steel
Wall Flange

Swivel Nut

Product Specifications:
Stainless Steel Wall Mount Faucet Adapter for T&S Faucets Inlets (Supplied in Qty (2) per Package)

Product Compliance:
DVGW Certified
KTW Certified



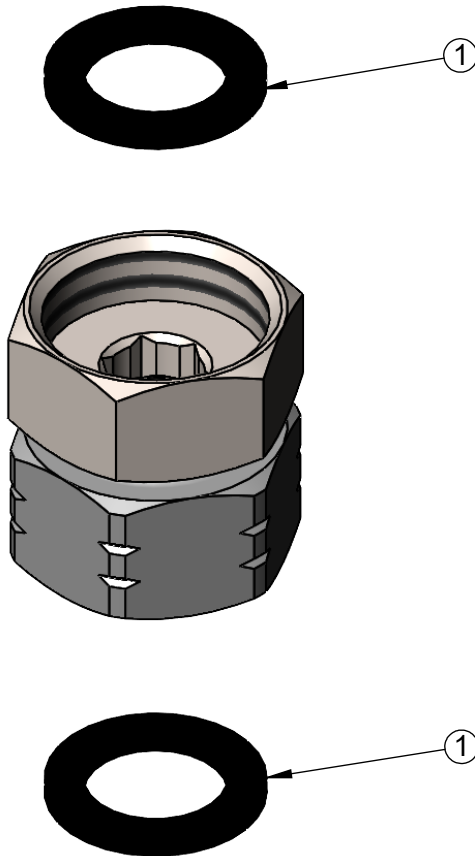
T&S BRASS AND BRONZE WORKS, INC.
2 Saddleback Cove / P.O. Box 1088
Travelers Rest, SC 29690

Model No.
S-0467

Item No.

Travelers Rest, SC: 800-476-4103 • Simi Valley, CA: 800-423-0150 • Fax: 864-834-3518 • www.tsbrass.com

| ITEM NO. | SALES NO. | DESCRIPTION |
|----------|-----------|------------------------------------|
| 1 | 010569-45 | Washer, Inlet Flange Coupling (UK) |



Product Specifications:
Stainless Steel Wall Mount Faucet Adapter for T&S Faucets Inlets (Supplied in Qty (2) per Package)

Product Compliance:
DVGW Certified
KTW Certified