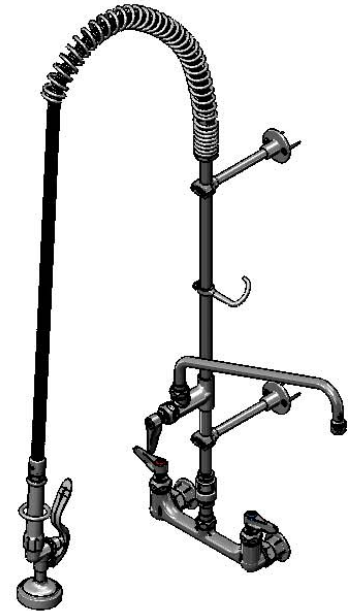
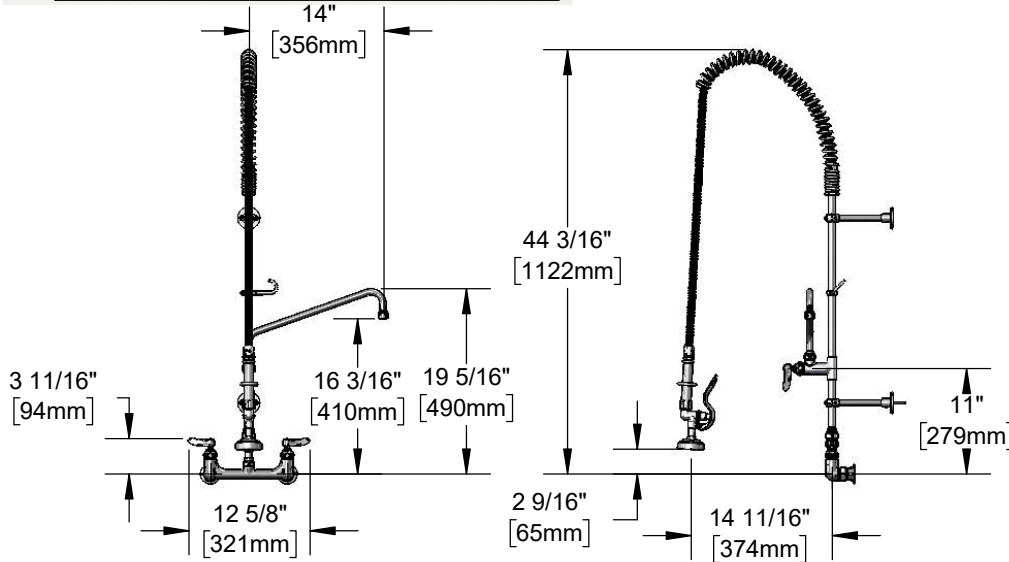




Architect/Engineering Specifications:

8" wall mount mixing faucet with polished chrome plated brass body, add-on faucet with compression cartridge, lever handle and 7" riser, 14" swing nozzle with stream regulator outlet, 18" rigid riser, 56" flexible stainless steel hose with heat resistant handle, 1.15 GPM spray valve, compression cartridges with spring checks, lever handles, 1/2" NPT female inlets, 3/8" vacuum breaker, 6" adjustable wall brackets, spray valve holder and overhead spring. Certified to ASME A112.18.1/CSA B125.1, NSF 61-Section 9 and NSF 372. 2019 DOE PRSV - Class II compliant.

Job Name _____
Model Specified _____ Quantity _____
Variations Specified _____
Date _____



Features & Benefits:

- 8" wall mount mixing faucet w/ polished chrome plated brass body
Add-on faucet w/ polished chrome plated brass body
14" swing nozzle w/ stream regulator outlet, Series 1
18" rigid riser
56" flexible stainless steel hose with heat resistant gray handle and hold down ring
1.15 GPM spray valve
Quarter-turn Eterna compression cartridges with spring checks to prevent cross flow of water
Lever handles w/ color coded indexes
1/2" NPT female eccentric inlets with Ø 2" flanges
Adjustable centers from 7 3/4" to 8 1/4"
EasyInstall 3/8" NPT dual check vacuum breaker w/ intermediate vent for continuous pressure applications
(2) 6" adjustable wall brackets
Material: Polished chrome plated brass body, tubular nozzle, add-on faucet body, riser & spray valve body, stainless steel hose and chrome plated metal handles

Product Compliance:

- ASME A112.18.1 / CSA B125.1
NSF 61 - Section 9
NSF 372 (Low Lead Content)
2019 DOE PRSV - Class II
CSA B64.8 (VB)



Warranty: Three Year (Limited)

Performance Data:

- Pressure: 20 - 125 psi
Temperature: 40°F - 140°F
Flow Rate:
Spray Valve: 1.15 GPM @ 60 psi
Add-On Faucet: 9.73 GPM @ 60 psi

Optional Add-On Faucet Outlets (Series 1 / VR Series 6)

Table with 3 columns: GPM, Aerated, VR Aerated (VR Laminar). Rows for 1.0, 1.5, and 2.2 GPM.

Optional Cartridges With Checks

- Quarter-Turn Cerama w/ Check Valve
Quarter-Turn Eterna w/ Spring Check (Standard)

Optional Pre-Rinse Spray Valves

- B-0107 (1.15 GPM) (Standard)
B-0107-C (0.65 GPM)
B-0107-J (1.07 GPM)
B-0108 (1.07 GPM)
B-0108-C (0.65 GPM)

Optional Handles

- 4" Wrist Action
Lever (Standard)
4-Arm

