



T&S BRASS AND BRONZE WORKS, INC.

2 Saddleback Cove / P.O. Box 1088
Travelers Rest, SC 29690

Model No.

BL-5725-09

Item No.

Travelers Rest, SC: 800-476-4103 • Simi Valley, CA: 800-423-0150 • Fax: 864-834-3518 • www.tsbrass.com



ADA Compliant

This Space for Architect/Engineer Approval

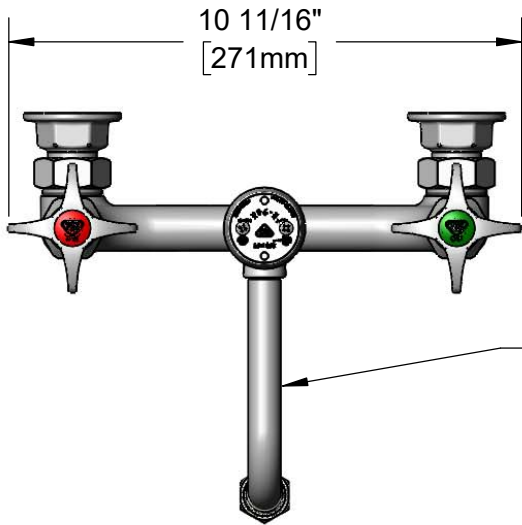
Job Name _____ Date _____

Model Specified _____ Quantity _____

Customer/Wholesaler _____

Contractor _____

Architect/Engineer _____

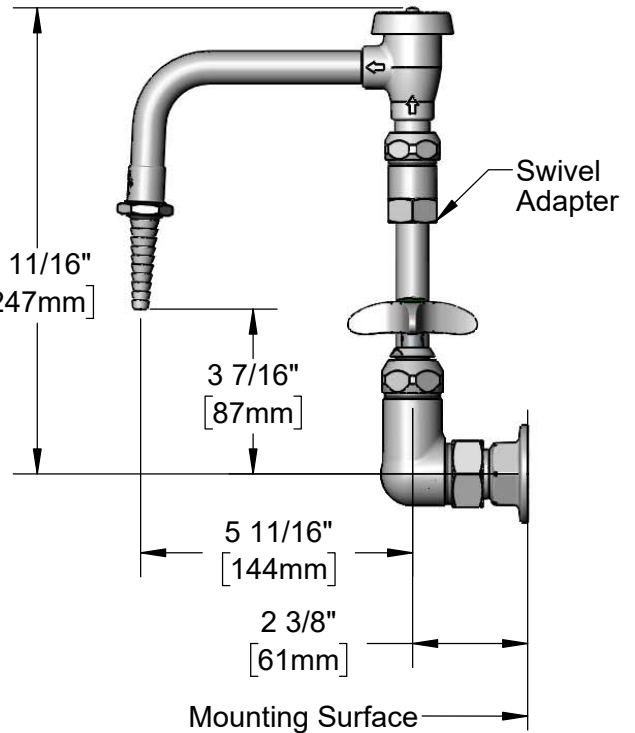
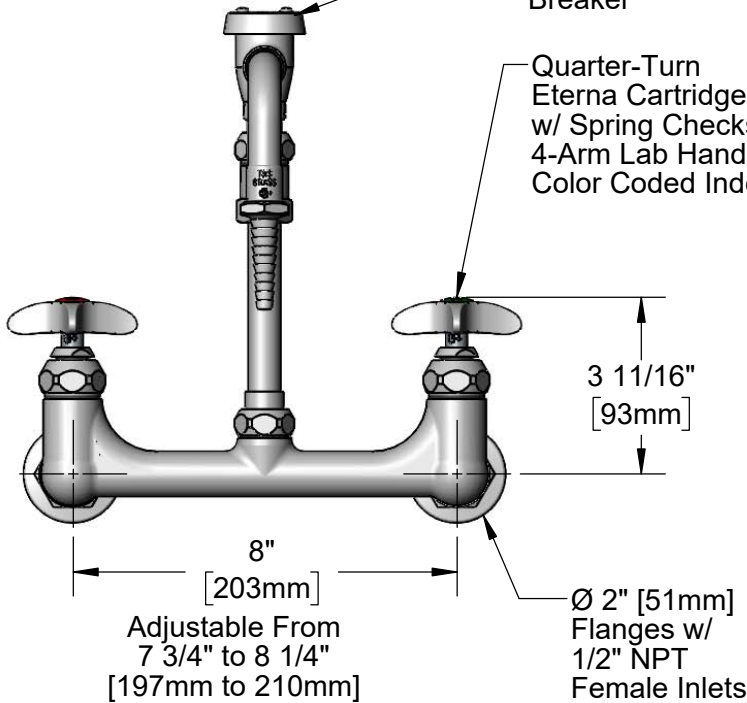


BL-5560-02
Swivel Vacuum Breaker Nozzle w/
Serrated Tip Outlet w/ 0.5 GPM
Flow Control. Converts to Rigid w/
014200-45 Lock Washer (Included)



B-0968
3/8" NPT Vacuum
Breaker

Quarter-Turn
Eterna Cartridges
w/ Spring Checks &
4-Arm Lab Handles w/
Color Coded Indexes



Product Specifications:

8" Wall Mount Laboratory Mixing Faucet, Quarter-Turn Eterna Cartridges w/ Spring Checks, 4-Arm Lab Handles, Swivel Vacuum Breaker Nozzle, Swivel Adapter, Serrated Tip w/ 0.5 GPM Flow Control & 1/2" NPT Female Inlets

Product Compliance:

ASME A112.18.1 / CSA B125.1
NSF 61 - Section 9
NSF 372 (Low Lead Content)
ANSI A117.1 (ADA)
ASSE 1001 (VB)



T&S BRASS AND BRONZE WORKS, INC.

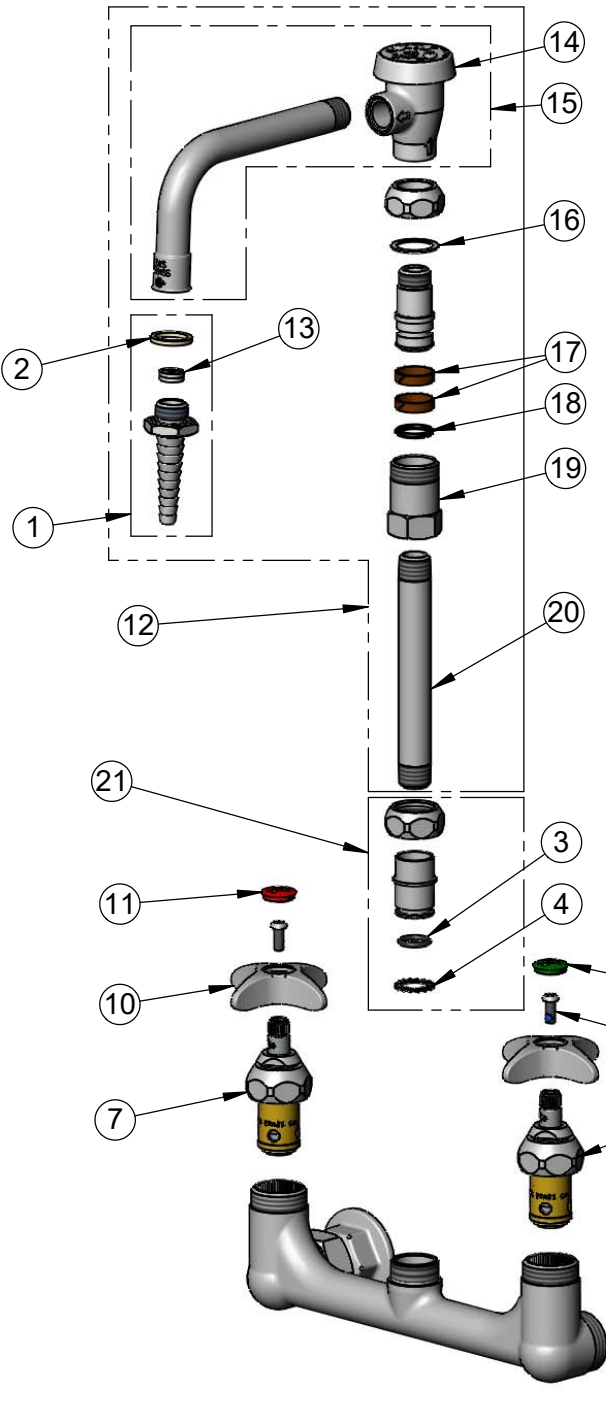
2 Saddleback Cove / P.O. Box 1088
Travelers Rest, SC 29690

Model No.

BL-5725-09

Item No.

Travelers Rest, SC: 800-476-4103 • Simi Valley, CA: 800-423-0150 • Fax: 864-834-3518 • www.tsbrass.com



ITEM NO.	SALES NO.	DESCRIPTION
1	B-0198-FD05	Serrated Tip w/ 0.5 GPM Flow Disc & Washer
2	001051-45	Washer
3	001065-45	O-ring
4	014200-45	Star Washer, Anti-Rotation
5	001191-45NS	Green "CW" Lab Button Index
6	000925-45	Lab Handle Screw
7	012443-40NS	Quarter-Turn Eterna Cartridge, RTC w/ Spring Check
8	00AA	1/2" NPT Female Eccentric Flange
9	001019-45	Coupling Nut Washer
10	002521-45NS	4-Arm Handle (New Style)
11	001194-45NS	Red "HW" Lab Button Index
12	BL-5560-02	Swivel Vacuum Breaker Nozzle w/ Swivel Adapter, Serrated Tip w/ 0.5 GPM Flow Disc
13	FD05	Flow Disc, 0.5 GPM [1.9 L/min.] (Lime)
14	B-0968	3/8" NPT Vacuum Breaker
15	007283-40	Vacuum Breaker Nozzle
16	009538-45	Swivel Washer
17	011429-45	Swivel Sleeves (2)
18	001074-45	O-Ring
19	054X	Swivel Body
20	000361-40	Nipple, 3/8" NPT x 5"
21	EZ-K	EasyInstall Kit

Product Specifications:

8" Wall Mount Laboratory Mixing Faucet, Quarter-Turn Eterna Cartridges w/ Spring Checks, 4-Arm Lab Handles, Swivel Vacuum Breaker Nozzle, Swivel Adapter, Serrated Tip w/ 0.5 GPM Flow Control & 1/2" NPT Female Inlets

Product Compliance:

ASME A112.18.1 / CSA B125.1
NSF 61 - Section 9
NSF 372 (Low Lead Content)
ANSI A117.1 (ADA)
ASSE 1001 (VB)