



T&S BRASS AND BRONZE WORKS, INC.

2 Saddleback Cove / P.O. Box 1088
Travelers Rest, SC 29690



REG. #A2601
ISO #9001

Model No.

014612-45

Item No.

Travelers Rest, SC: 800-476-4103 • Simi Valley, CA: 800-423-0150 • Fax: 864-834-3518 • www.tsbrass.com

This Space for Architect/Engineer Approval

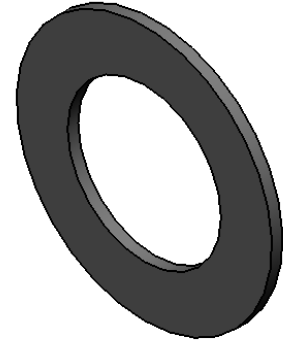
Job Name _____ Date _____

Model Specified _____ Quantity _____

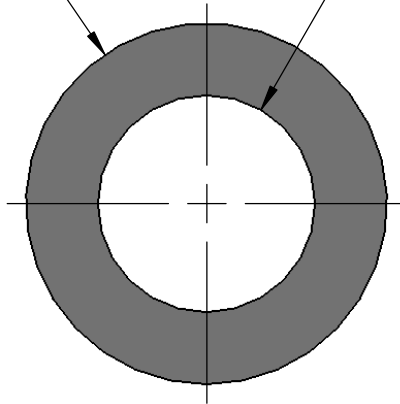
Customer/Wholesaler _____

Contractor _____

Architect/Engineer _____



$\phi 1 \frac{7}{8}$ "
[48mm] $\phi 1 \frac{1}{8}$ "
[29mm]



$\frac{1}{16}$ "
[2mm]



Product Specifications:
Deck Seal, Rubber

Drawn

GEF

Checked

JRM

Approved

JHB

Scale:

1:1

Date:

07/14/11