



**T&S BRASS AND BRONZE WORKS, INC.**  
 2 Saddleback Cove / P.O. Box 1088  
 Travelers Rest, SC 29690

Model No.  
**B-0700-124A**

Item No.

Travelers Rest, SC: 800-476-4103 • Simi Valley, CA: 800-423-0150 • Fax: 864-834-3518 • www.tsbrass.com

This Space for Architect/Engineer Approval

Job Name \_\_\_\_\_ Date \_\_\_\_\_

Model Specified \_\_\_\_\_ Quantity \_\_\_\_\_

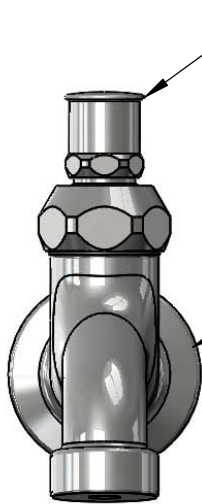
Customer/Wholesaler \_\_\_\_\_

Contractor \_\_\_\_\_

Architect/Engineer \_\_\_\_\_

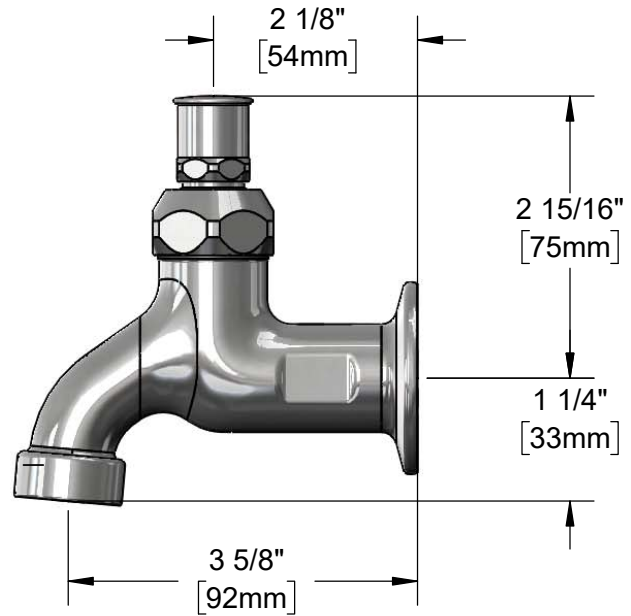


Plain End Outlet



Loose Key Stop  
 Quarter-Turn  
 Eterna Cartridge w/  
 Spring Check

Ø 2" [51mm]  
 Flange w/  
 1/2" NPT  
 Female Inlet



**Product Specifications:**  
 Single Sink Wall Mount Faucet, Quarter-Turn Eterna Cartridge w/ Spring Check, Loose Key Stop & Tee Handle, Plain End Outlet & 1/2" NPT Female Inlet

**Product Compliance:**  
 ASME A112.18.1 / CSA B125.1  
 NSF 61 - Section 9  
 NSF 372 (Low Lead Content)



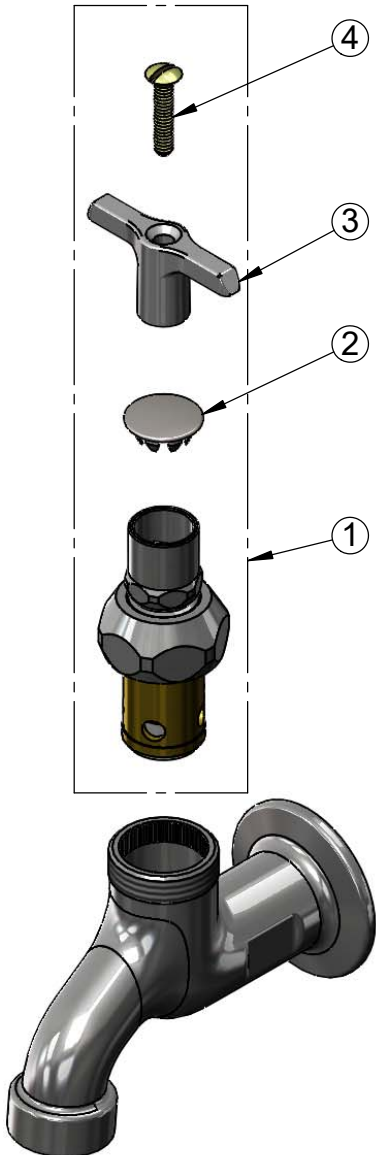
**T&S BRASS AND BRONZE WORKS, INC.**  
2 Saddleback Cove / P.O. Box 1088  
Travelers Rest, SC 29690

Model No.  
**B-0700-124A**

Item No.

Travelers Rest, SC: 800-476-4103 • Simi Valley, CA: 800-423-0150 • Fax: 864-834-3518 • www.tsbrass.com

| ITEM NO. | SALES NO. | DESCRIPTION  |
|----------|-----------|--|
| 1        | 124A-NS   | Loose Key Stop Cartridge, RTC w/ T-Handle, Screw & Cap |
| 2        | 001605-45 | Cap  |
| 3        | 001802-45 | Handle, Supply Stop "T"                                |
| 4        | 002432-45 | Screw, Tee Handle                                      |



**Product Specifications:**

Single Sink Wall Mount Faucet, Quarter-Turn Eterna Cartridge w/ Spring Check, Loose Key Stop & Tee Handle, Plain End Outlet & 1/2" NPT Female Inlet

**Product Compliance:**

ASME A112.18.1 / CSA B125.1  
NSF 61 - Section 9  
NSF 372 (Low Lead Content)