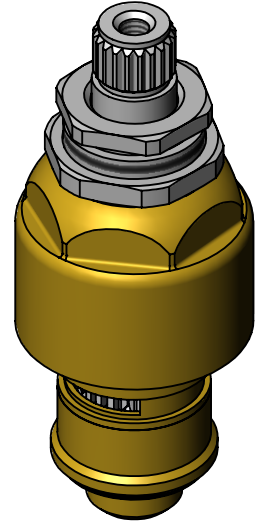
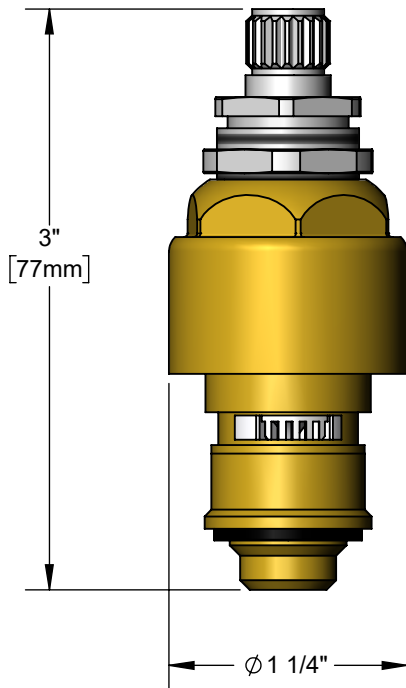




**Architect/Engineering Specifications:**

EasyInstall concealed widespread Cerama cartridge, LTC. Certified to ASME A112.18.1 / CSA B125.1, NSF 61-Section 9 and NSF 372.

Job Name \_\_\_\_\_  
 Model Specified \_\_\_\_\_ Quantity \_\_\_\_\_  
 Variations Specified \_\_\_\_\_  
 Date \_\_\_\_\_



**Features & Benefits:**

- Concealed widespread EasyInstall Cerama, LTC
- Concealed widespread bonnet
- Material: Brass

**Product Compliance:**

- ASME A112.18.1 / CSA B125.1
- NSF 61 - Section 9
- NSF 372 (Low Lead Content)



**Warranty:** Lifetime (Limited)



**Performance Data:**

- Pressure: 20 - 125 psi [1.38 - 8.62 bar]
- Temperature: 40°F - 180°F [4.44°C - 82°C]
- Flow Rate: 7.66 GPM [29 L/min] @ 60 psi [4.14 bar]

