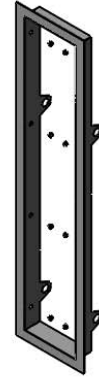
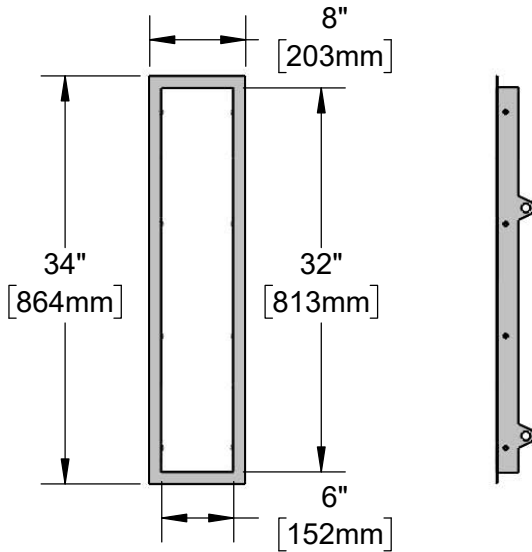




Architect/Engineering Specifications:

Stainless steel flange for recessed mounted cabinets only and mounting screws.

Job Name \_\_\_\_\_  
 Model Specified \_\_\_\_\_ Quantity \_\_\_\_\_  
 Variations Specified \_\_\_\_\_  
 Date \_\_\_\_\_



Features & Benefits:

- Stainless steel flange
- Recessed mounted cabinets only
- Mounting screws provided
- Cutouts provided for stud mount
- Materials: Stainless steel

Product Compliance:

- N/A

Warranty: One Year (Limited)

Performance Data:

- N/A

