



# T&S BRASS AND BRONZE WORKS, INC.

2 Saddleback Cove / P.O. Box 1088  
Travelers Rest, SC 29690

Model No.

**B-0140-08**

Item No.

Travelers Rest, SC: 800-476-4103 • Simi Valley, CA: 800-423-0150 • Fax: 864-834-3518 • www.tsbrass.com

This Space for Architect/Engineer Approval

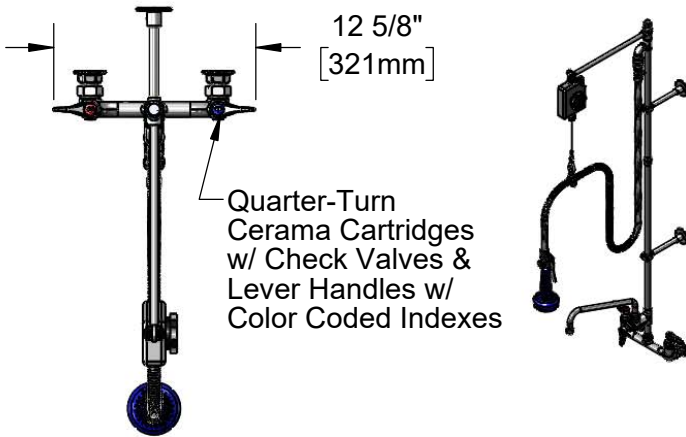
Job Name \_\_\_\_\_ Date \_\_\_\_\_

Model Specified \_\_\_\_\_ Quantity \_\_\_\_\_

Customer/Wholesaler \_\_\_\_\_

Contractor \_\_\_\_\_

Architect/Engineer \_\_\_\_\_



12 5/8"  
[321mm]

Quarter-Turn  
Cerama Cartridges  
w/ Check Valves &  
Lever Handles w/  
Color Coded Indexes



Items Not Shown  
For Clarity

3/8" NPT x  
18" Riser

3/8" Pipe  
Coupling

3/8" NPT x  
24" Riser

12"  
[305mm]

3 11/16"  
[93mm]

8"  
[203mm]

Adjustable From  
7 3/4" to 8 1/4"  
[197mm to 210mm]

68" Flexible  
Stainless  
Steel Hose

062X  
12" Swing Nozzle w/  
Stream Regulator

B-0108  
1.07 GPM  
Spray Valve

Ø2" [51mm]  
Flanges w/  
1/2" NPT  
Female Inlets

Balancer

14"  
[356mm]

B-0109-01  
6" Wall  
Bracket

51 5/16"  
[1304mm]

B-0109-01  
6" Wall  
Bracket

EasyInstall  
Add-On Faucet w/  
Quarter-Turn  
Cerama Cartridge &  
Lever Handle w/  
Color Coded Index

**Product Specifications:**

Pre-Rinse Unit: 8" Wall Mount Mixing Faucet, Quarter-Turn Cerama Cartridges w/ Check Valves, Lever Handles, Add-On Faucet w/ 12" Swing Nozzle, 18" & 24" Risers, 6" Wall Bracket, 14" Extension Arm, Balancer, 1.07 GPM Spray Valve, 68" Flexible Stainless Steel Hose & 1/2" NPT Female Inlets

**Product Compliance:**

ASME A112.18.1 / CSA B125.1  
NSF 61 - Section 9  
NSF 372 (Low Lead Content)  
EPA 2005 (PRSV)



# T&S BRASS AND BRONZE WORKS, INC.

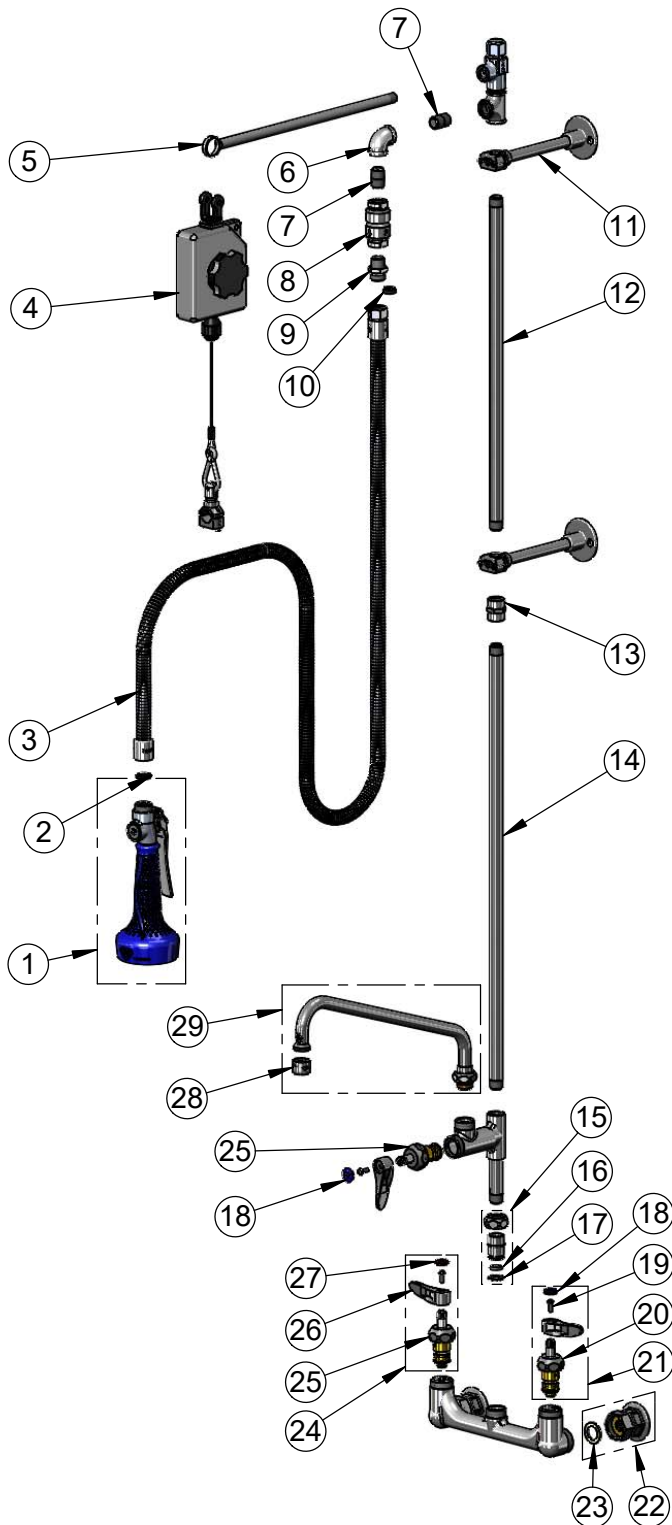
2 Saddleback Cove / P.O. Box 1088  
Travelers Rest, SC 29690

Model No.

**B-0140-08**

Item No.

Travelers Rest, SC: 800-476-4103 • Simi Valley, CA: 800-423-0150 • Fax: 864-834-3518 • www.tsbrass.com



| ITEM NO. | SALES NO.   | DESCRIPTION   |
|----------|-------------|---|
| 1        | B-0108      | 1.07 GPM Spray Valve  |
| 2        | 001014-45   | Washer, B-0100 Hose Barrel  |
| 3        | B-0068-H2A  | 68" Flexible Stainless Steel Hose, Less Handle                                |
| 4        | 005311-40   | Balancer  |
| 5        | 005252-40   | Extension Arm, Chrome Plated  |
| 6        | 001355-40   | Elbow, 3/8 NPT  |
| 7        | 002535-25   | 3/8" Close Nipple   |
| 8        | B-0970-FE   | 3/8" NPT Vacuum Breaker   |
| 9        | 053A        | Adapter, 3/8" NPT Male  |
| 10       | 010476-45   | #27 Washer  |
| 11       | B-0109-01   | 6" Wall Bracket   |
| 12       | 000369-40   | 3/8" NPT x 18" Riser  |
| 13       | 001769-40   | Coupling, 3/8" NPT  |
| 14       | 000372-40   | 3/8" NPT x 24" Riser  |
| 15       | EZ-K        | EasyInstall Kit   |
| 16       | 001065-45   | O-ring  |
| 17       | 014200-45   | Star Washer, Anti-Rotation  |
| 18       | 018506-19NS | Blue Button Index, Press-in   |
| 19       | 000925-45   | Lab Handle Screw  |
| 20       | 012395-25NS | Quarter-Turn Cerama Cartridge w/ Check Valve, LTC                             |
| 21       | 012447-25NS | Quarter-Turn Cerama Cartridge w/ Check Valve, Handle, Blue Index & Screw, LTC |
| 22       | 00AA        | 1/2" NPT Female Eccentric Flange  |
| 23       | 001019-45   | Coupling Nut Washer   |
| 24       | 012446-25NS | Quarter-Turn Cerama Cartridge w/ Check Valve, Handle, Red Index & Screw, RTC  |
| 25       | 012394-25NS | Quarter-Turn Cerama Cartridge w/ Check Valve, RTC                             |
| 26       | 001638-45NS | Lever Handle (New Style)  |
| 27       | 001193-19NS | Red Button Index, Press-in  |
| 28       | B-PT        | Full Flow Stream Regulator, 55/64-27  |
| 29       | 062X        | 12" Swing Nozzle  |

**Product Specifications:**

Pre-Rinse Unit: 8" Wall Mount Mixing Faucet, Quarter-Turn Cerama Cartridges w/ Check Valves, Lever Handles, Add-On Faucet w/ 12" Swing Nozzle, 18" & 24" Risers, 6" Wall Bracket, 14" Extension Arm, Balancer, 1.07 GPM Spray Valve, 68" Flexible Stainless Steel Hose & 1/2" NPT Female Inlets

**Product Compliance:**

ASME A112.18.1 / CSA B125.1  
NSF 61 - Section 9  
NSF 372 (Low Lead Content)  
EPA 2005 (PRSV)