



# T&S BRASS AND BRONZE WORKS, INC.

2 Saddleback Cove / P.O. Box 1088  
Travelers Rest, SC 29690

Model No.

**MPZ-2DWV-08**

Item No.

Travelers Rest, SC: 800-476-4103 • Simi Valley, CA: 800-423-0150 • Fax: 864-834-3518 • www.tsbrass.com

This Space for Architect/Engineer Approval

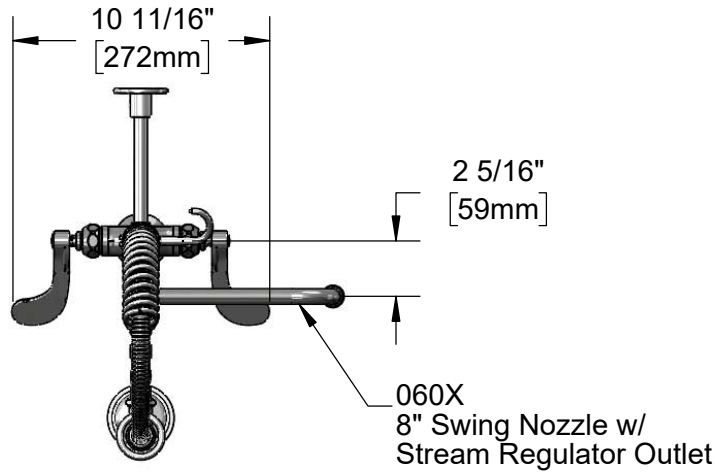
Job Name \_\_\_\_\_ Date \_\_\_\_\_

Model Specified \_\_\_\_\_ Quantity \_\_\_\_\_

Customer/Wholesaler \_\_\_\_\_

Contractor \_\_\_\_\_

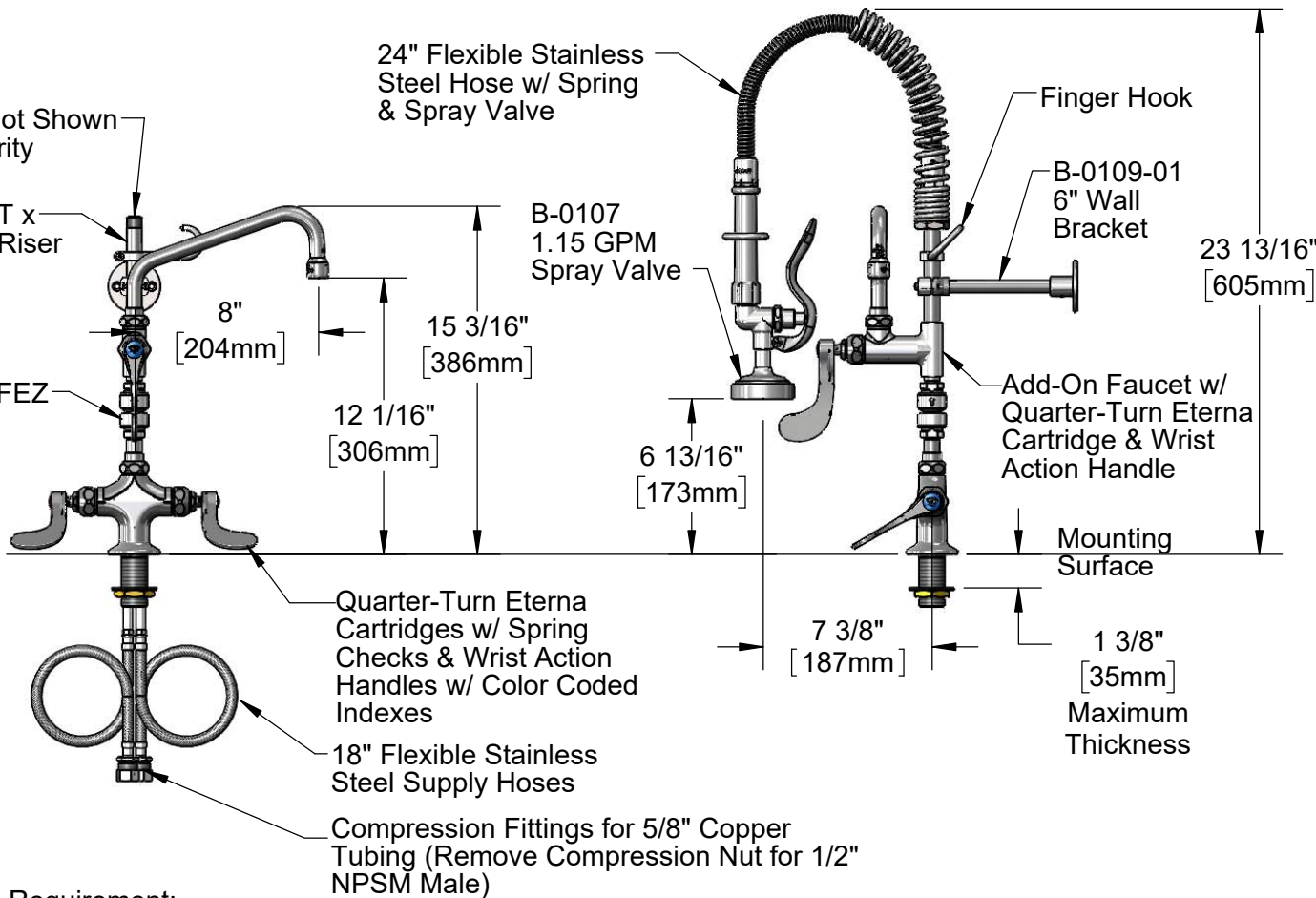
Architect/Engineer \_\_\_\_\_



Items Not Shown  
For Clarity

3/8" NPT x  
5 3/16" Riser

B-0970-FEZ  
Vacuum  
Breaker



Quarter-Turn Eterna  
Cartridges w/ Spring  
Checks & Wrist Action  
Handles w/ Color Coded  
Indexes

18" Flexible Stainless  
Steel Supply Hoses

Compression Fittings for 5/8" Copper  
Tubing (Remove Compression Nut for 1/2"  
NPSM Male)

Rough-In Requirement:  
Ø 1 1/2" [38mm] Mounting Hole

Product Specifications:

Pre-Rinse Unit: EasyInstall Single Hole Deck Mount Mixing Faucet, Quarter-Turn Eterna Cartridges w/ Spring Checks, Wrist Action Handles, Add-On Faucet w/ 8" Swing Nozzle, Compact Spring, 24" Flexible Stainless Steel Hose, 1.15 GPM Spray Valve, Vacuum Breaker, 6" Wall Bracket & 18" Flexible Supply Hoses

Product Compliance:

ASME A112.18.1 / CSA B125.1  
NSF 61 - Section 9  
NSF 372 (Low Lead Content)  
2019 DOE PRSV - Class II  
CSA B64.8 (VB)  
For Commercial Use Only



# T&S BRASS AND BRONZE WORKS, INC.

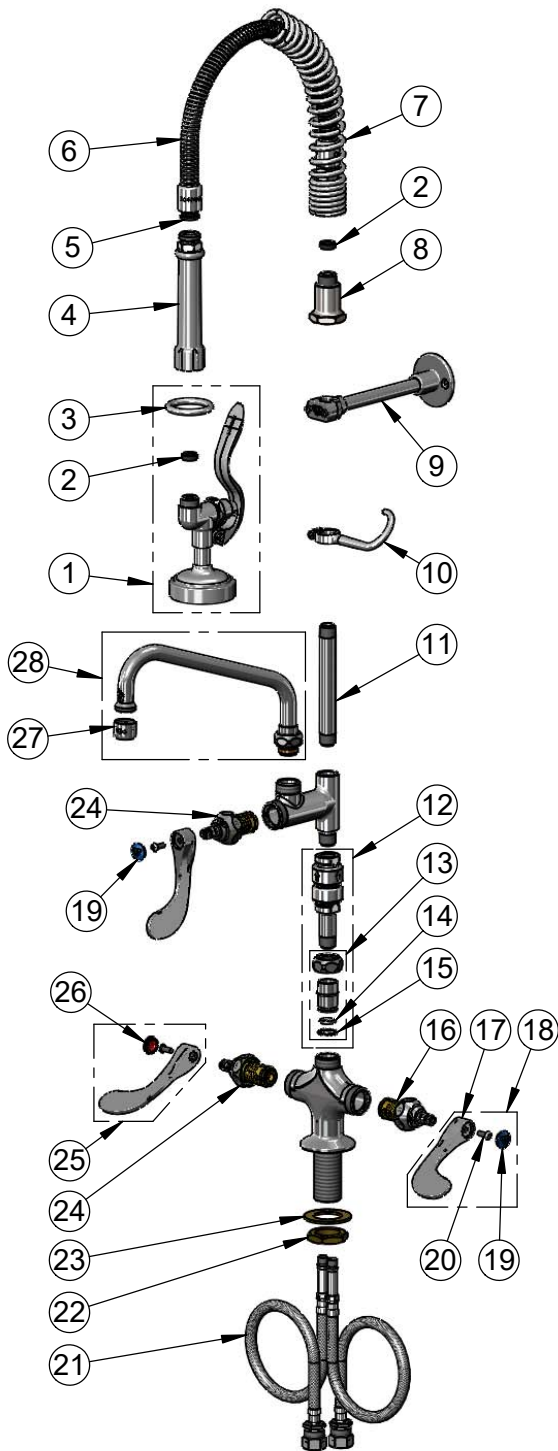
2 Saddleback Cove / P.O. Box 1088  
Travelers Rest, SC 29690

Model No.

**MPZ-2DWV-08**

Item No.

Travelers Rest, SC: 800-476-4103 • Simi Valley, CA: 800-423-0150 • Fax: 864-834-3518 • www.tsbrass.com



ITEM NO.	SALES NO.	DESCRIPTION
1	B-0107	1.15 GPM Spray Valve
2	010476-45	#27 Washer
3	000907-45	Spray Valve Hold Down Ring
4	002987-40	Grip Handle
5	001014-45	Washer, B-0100 Hose Barrel
6	B-0024-H2A	24" Flexible Stainless Steel Hose, Less Handle
7	016795-45	Compact Spring
8	000821-40	Spring Body
9	B-0109-01	6" Wall Bracket
10	004R	Finger Hook
11	001617-40	Nipple, 3/8" NPT x 5-3/16"
12	B-0970-FEZ	Vacuum Breaker
13	EZ-K	EasyInstall Kit
14	001065-45	O-Ring
15	014200-45	Star Washer, Anti-Rotation
16	012442-40NS	Quarter-Turn Eterna Cartridge w/ Spring Check, LTC
17	B-WH4-NS	Wrist Action Handle (New Style)
18	B-WH4C-NS	Wrist Action Handle, Blue Index & Screw
19	018506-19NS	Blue Button Index, Press-in
20	000925-45	Lab Handle Screw
21	012534-45	Flexible Connector Hose
22	000965-45	Lock Nut
23	002290-45	Lock Washer
24	012443-40NS	Quarter-Turn Eterna Cartridge w/ Spring Check, RTC
25	B-WH4H-NS	Wrist Action Handle, Red Index & Screw
26	001193-19NS	Red Button Index, Press-in
27	B-PT	Full Flow Stream Regulator, 55/64-27
28	060X	8" Swing Nozzle

**Product Specifications:**

Pre-Rinse Unit: EasyInstall Single Hole Deck Mount Mixing Faucet, Quarter-Turn Eterna Cartridges w/ Spring Checks, Wrist Action Handles, Add-On Faucet w/ 8" Swing Nozzle, Compact Spring, 24" Flexible Stainless Steel Hose, 1.15 GPM Spray Valve, Vacuum Breaker, 6" Wall Bracket & 18" Flexible Supply Hoses

**Product Compliance:**

ASME A112.18.1 / CSA B125.1  
NSF 61 - Section 9  
NSF 372 (Low Lead Content)  
2019 DOE PRSV - Class II  
CSA B64.8 (VB)  
For Commercial Use Only