



T&S BRASS AND BRONZE WORKS, INC.
 2 Saddleback Cove / P.O. Box 1088
 Travelers Rest, SC 29690

Model No.
B-0152-CR

Item No.

Travelers Rest, SC: 800-476-4103 • Simi Valley, CA: 800-423-0150 • Fax: 864-834-3518 • www.tsbrass.com

This Space for Architect/Engineer Approval

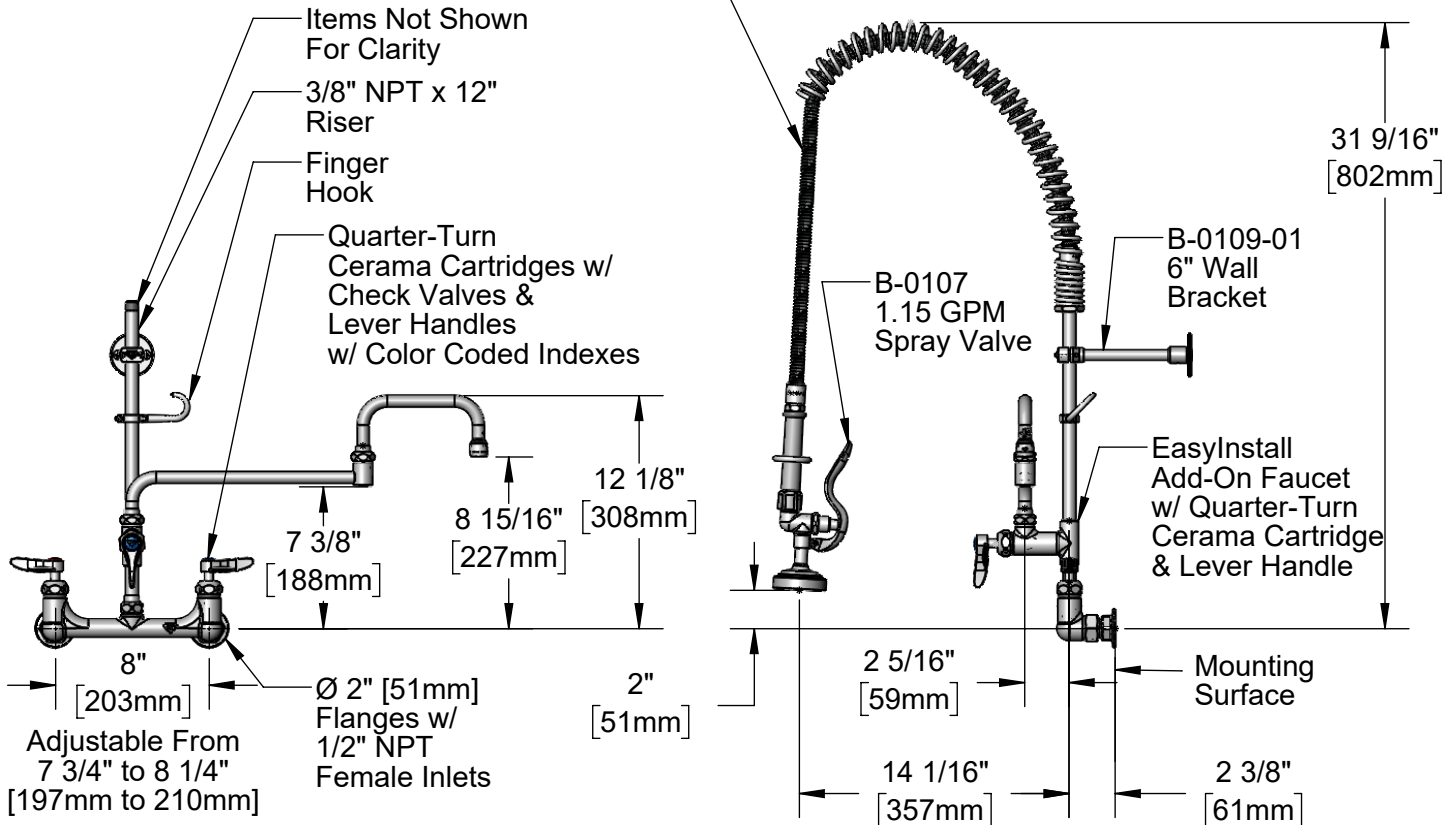
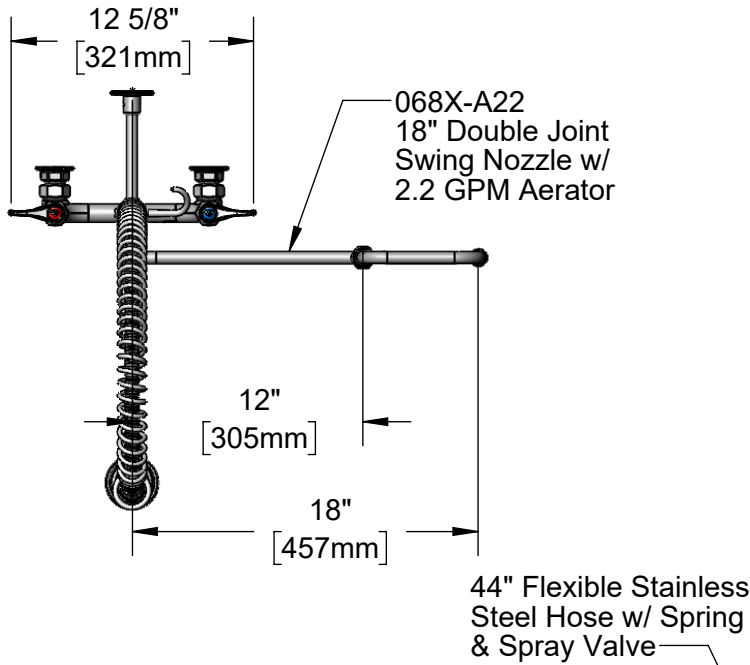
Job Name _____ Date _____

Model Specified _____ Quantity _____

Customer/Wholesaler _____

Contractor _____

Architect/Engineer _____



Product Specifications:
 Pre-Rinse Unit: 8" Wall Mount Mixing Faucet, Quarter-Turn Cerama Cartridges w/ Check Valves, Lever Handles, Add-On Faucet, 18" Double Joint Swing Nozzle w/ 2.2 GPM Aerator, 44" Flexible Stainless Steel Hose, 1.15 GPM Spray Valve, 6" Wall Bracket & 1/2" NPT Female Inlets

Product Compliance:
 ASME A112.18.1 / CSA B125.1
 NSF 61 - Section 9
 NSF 372 (Low Lead Content)
 2019 DOE PRSV - Class II

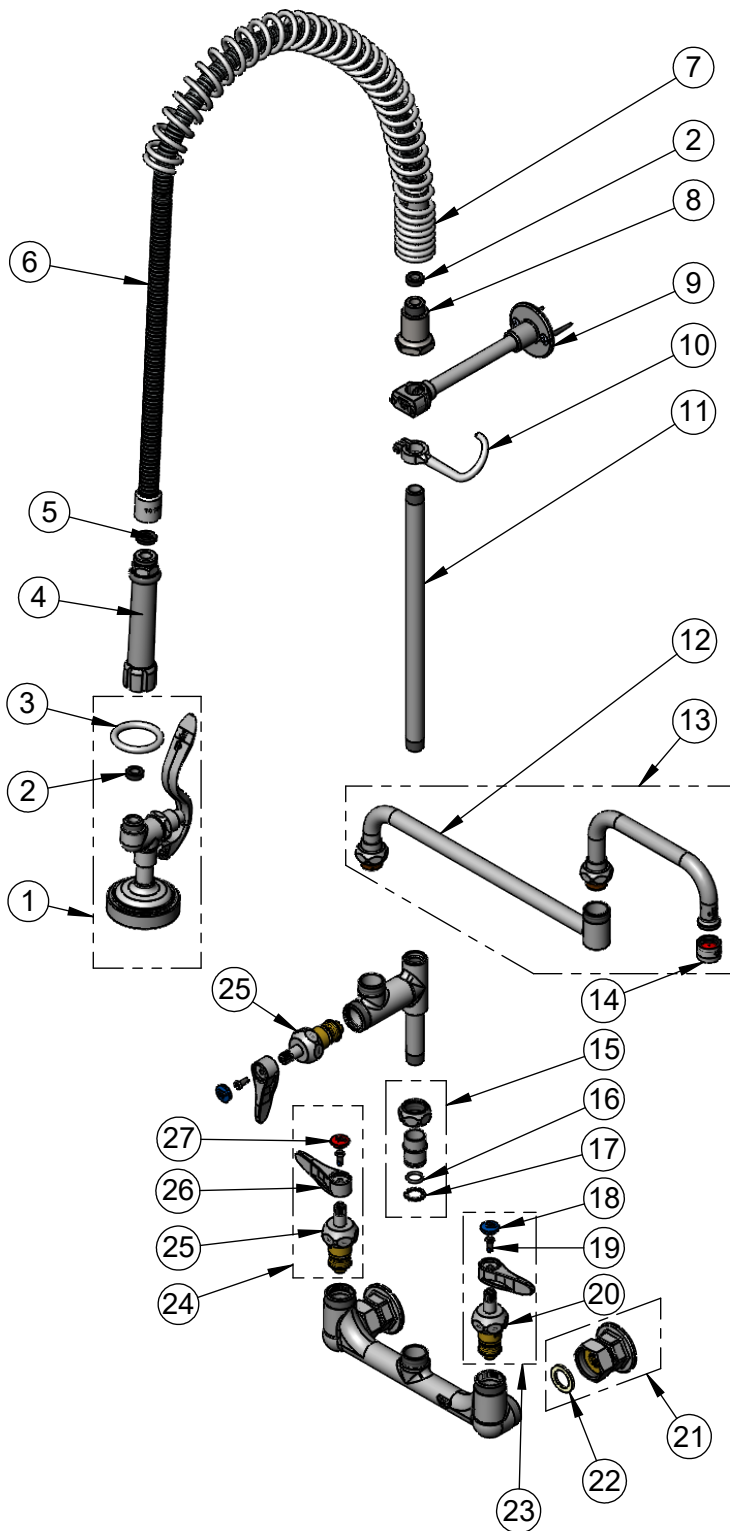


T&S BRASS AND BRONZE WORKS, INC.
 2 Saddleback Cove / P.O. Box 1088
 Travelers Rest, SC 29690

Model No.
B-0152-CR

Item No.

Travelers Rest, SC: 800-476-4103 • Simi Valley, CA: 800-423-0150 • Fax: 864-834-3518 • www.tsbrass.com



ITEM NO.	SALES NO.	DESCRIPTION
1	B-0107	1.15 GPM Spray Valve
2	010476-45	#27 Washer
3	000907-45	Spray Valve Hold Down Ring
4	002987-40	Grip Handle
5	001014-45	Washer, Hose Barrel
6	B-0044-H2A	44" Flexible Stainless Steel Hose, Less Handle
7	000888-45	EasyInstall Overhead Spring
8	000821-40	Spring Body
9	B-0109-01	6" Wall Bracket
10	004R	Finger Hook
11	145X	3/8" NPT X 12" Riser
12	002871-40	9" Back Section
13	068X-A22	18" Double Joint Swing Nozzle w/ 2.2 GPM Aerator
14	B-0199-01	2.2 GPM Aerator, 55/64-27 UN Female
15	EZ-K	EasyInstall Kit: Nut, Bushing, O-ring & Lock Washer
16	001065-45	O-Ring, Size 2-112
17	014200-45	Star Washer, Anti-Rotation
18	018506-19NS	Blue Button Index, Press-in
19	000925-45	Lab Handle Screw
20	012395-25NS	Quarter-Turn Cerama Cartridge w/ Check Valve, LTC
21	00AA	1/2" NPT Female Eccentric Flange
22	001019-45	Coupling Nut Washer
23	012447-25NS	Quarter-Turn Cerama Cartridge w/ Check Valve, Handle, Blue Index & Screw, LTC
24	012446-25NS	Quarter-Turn Cerama Cartridge w/ Check Valve, Handle, Red Index & Screw, RTC
25	012394-25NS	Quarter-Turn Cerama Cartridge w/ Check Valve, RTC
26	001638-45NS	Lever Handle (New Style)
27	001193-19NS	Red Button Index, Press-in

Product Specifications:

Pre-Rinse Unit: 8" Wall Mount Mixing Faucet, Quarter-Turn Cerama Cartridges w/ Check Valves, Lever Handles, Add-On Faucet, 18" Double Joint Swing Nozzle w/ 2.2 GPM Aerator, 44" Flexible Stainless Steel Hose, 1.15 GPM Spray Valve, 6" Wall Bracket & 1/2" NPT Female Inlets

Product Compliance:

ASME A112.18.1 / CSA B125.1
 NSF 61 - Section 9
 NSF 372 (Low Lead Content)
 2019 DOE PRSV - Class II