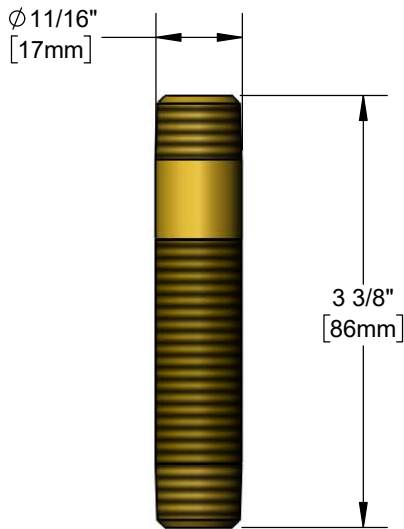




Architect/Engineering Specifications:

Supply nipple with 3/8" NPT male threads and 3/8" NPSL thread. Certified to NSF 61-Section 9 and NSF 372.

Job Name _____
 Model Specified _____ Quantity _____
 Variations Specified _____
 Date _____



Features & Benefits:

- Supply nipple
- 3/8" NPT male thread (both ends)
- 3/8" NPSL male thread
- Material: Brass

Product Compliance:

- NSF 61 - Section 9
- NSF 372 (Low Lead Content)



Warranty: One Year (Limited)

Performance Data:

- N/A

