

T&S BRASS AND BRONZE WORKS, INC.  
 2 SADDLEBACK COVE / P.O. BOX 1088 / TRAVELERS REST, SC 29690  
 PHONE 800-476-4103 FAX 864- 834-3518



Model No.

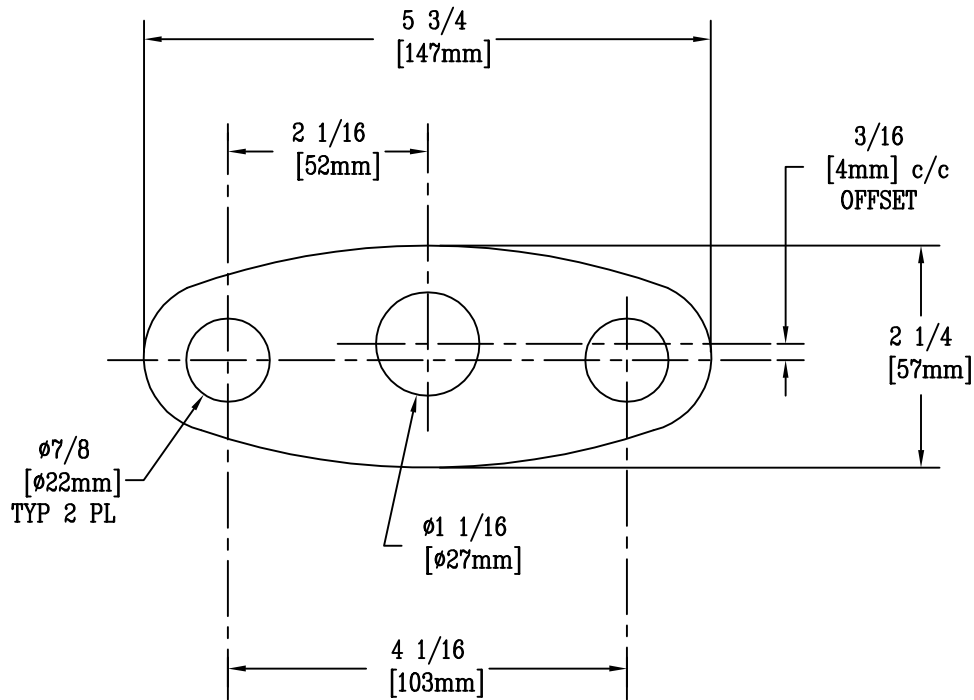
014167-45

Item No.:

Job Name:

Architect/Engineer Approval:

Notes:



MODELS USED IN:  
 B-2710, B-2710-LH, B-2711  
 & B-2711-LH

Product Description:

Drawn:

Checked

Scale:

TEH

WJS

1 : 2

Approved

Date:

MVW

4/12/04

WATER PROOF FOAM GASKET