



Limited One Year Warranty

T&S warrants to the original purchaser (other than for purposes of resale) that such product is free from defects in material and workmanship for a period of one (1) year from the date of purchase. During this one-year warranty period, if the product is found to be defective, T&S shall, at its options, repair and/or replace it. To obtain warranty service, products must be returned to...

T&S Brass and Bronze Works, Inc.
Attn: Warranty Repair Department
2 Saddleback Cove
Travelers Rest, SC 29690

Shipping, freight, insurance, and other transportation charges of the product to T&S and the return of repaired or replaced product to the purchaser are the responsibility of the purchaser. Repair and/or replacement shall be made within a reasonable time after receipt by T&S of the returned product. This warranty does not cover items which have received secondary finishing or have been altered or modified after purchase, or for defects caused by physical abuse to or misuse of the product, or shipment of the products.

Any express warranty not provided herein, and any remedy for Breach of Contract which might arise, is hereby excluded and disclaimed. Any implied warranties of merchantability or fitness for a particular purpose are limited to one year in duration. Under no circumstances shall T&S be liable for loss of use or any special consequential costs, expenses or damages.

Some states do not allow limitations on how long an implied warranty lasts or the exclusion or limitation of incidental or consequential damages, so the above limitations or exclusions may not apply to you. Specific rights under this warranty and other rights vary from state to state.

P/N: 098-012492-45 Rev. 1
Date: 12-30-04
Drawn: TEH
Checked: MVW 01-04-05
Approved: MVW 01-04-05

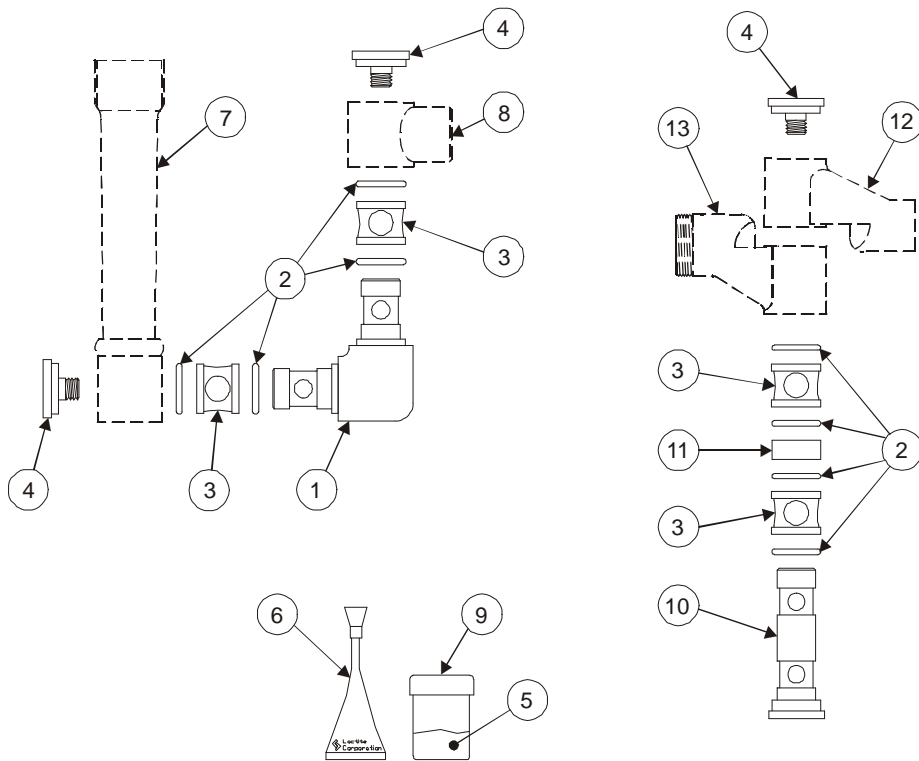
Installation and Maintenance Instructions



B-0114-RK REPAIR KIT PRE-RINSE UNIT

**Español: la Instalación y las
Instrucciones de
Mantenimiento**

Exploded View



* Some items are listed for instructional purposes and may not be sold as separate parts.

Part Number Guide

Pre-Rinse Unit

1	Asm, Swivel Elbow	009186-40
2	O'Rings	001060-45
3	Delrin Sleeve	008984-45
4	End Cap	008981-25
5	111 Compound	*
9	Grease Vial	*
6	Loctite	*
10	Shaft	008983-25
11	Center Sleeve	008982-45

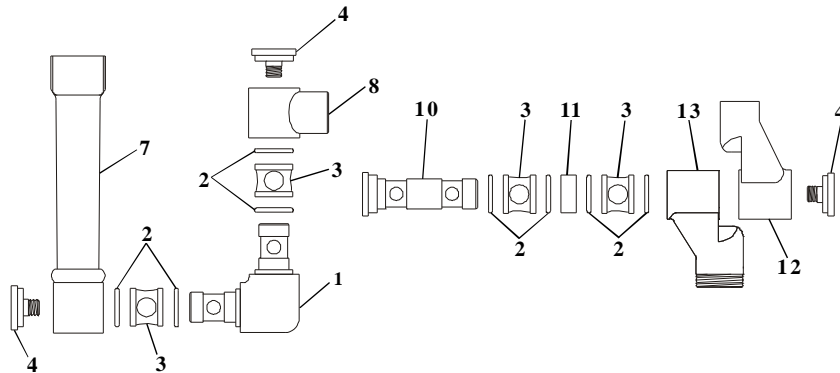
Parts Not Included In Kit

7	Asm, Grip Handle	002897-40
8	Knuckle, B-0114 #1	*
12	Knuckle, B-0114 #2	*
13	Knuckle, B-0114 #4	*

General Instructions

To Replace Worn Parts

1. Turn off water supply and drain lines.
2. Remove no. 4 from each end of assembly.



3. Carefully pull assembly apart and remove old no's. 1, 2, and 3 and no. 10 where applicable.
4. Clean interior surfaces of no. 7 and no. 8 or no. 12 and no. 13, whichever may apply.
5. Apply no. 5 to each no. 2.
6. If replacing worn parts for the elbow assembly, carefully insert new no. 1, with no. 2 and no. 3 installed, into no. 7 and no. 8.
7. If replacing worn parts for the upper arm assembly, carefully insert new no. 10, with no. 2, no. 3 and no. 11 installed, into no. 12 and no. 13.
8. Apply no. 6 to threads of no. 4 and install no. 4 until tight and no's. 7, 8, 12, and/or 13 rotate smoothly.

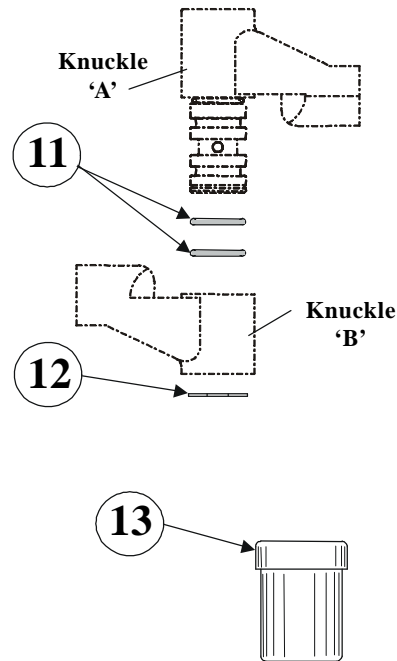
Note: The B-0114-RK Repair Kit is intended for the "old-style" T&S knuckle design. If repair parts for the "new-style" are required, contact T&S Customer Service for correct numbers.

General Instructions

For 010180 Pre-Rinse Assembly

Repair:

1. Using retaining ring pliers, remove and discard no. **12** from each knuckle on no. **3**.
2. Slide Knuckle 'B' off shaft. Remove no. **11** and discard, then clean parts and inspect for damage. If deep scoring exists, parts must be replaced.
3. Apply thin coat of no. **13** to shaft. Assemble new no. **11** onto shaft and apply a coat of no. **13** to no. **11**.
4. Replace Knuckles and assemble new no. **12**.
5. Reassemble unit and check for leaks.



Servicing:

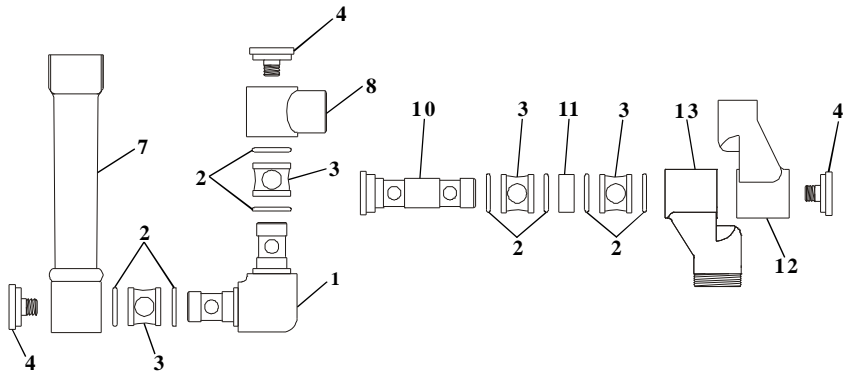
Riser Assembly

1. Loosen the two screws on the **B-0109** Wall Bracket Clamp.
2. Unscrew no. **9** from no. **3**. Disassemble no. **5** from no. **6**.
3. Loosen no. **8** on no. **4**. Carefully slide components from no. **5**.
4. Inspect no. **5** for damage. Inspect the spring for cracks. Replace if necessary. Apply no. **13** to no. **11** and reassemble.
5. Reassemble no. **5** into no. **6** and tighten with a wrench.
6. Tighten clamp screws on **B-0109** Wall Bracket.
7. Connect water supply lines and check for leaks.

Instrucciones Generales

Para el reemplazo de las partes desgastadas

1. Cierre la fuente de agua y desagüe las tuberías
2. Remueva la parte No.4 de ambos lados del ensamble.



3. Limpie las superficies interiores de las partes No.7 y No.8 o No.12 y No.13, a las que sean aplicables.
4. Limpie las superficies interiores de las partes No.7 y No.8 o No.12 y No.13, a las que sean aplicables.
5. Aplique parte No.5 a ambas partes No.2.
6. Si esta reemplazando partes desgastadas del ensamble de codo, cuidadosamente inserte una parte nueva No.1 con las partes No.2 y No.3 instaladas dentro de las partes No.7 y No.8.
7. Si esta reemplazando partes desgastadas para el ensamble del brazo superior, cuidadosamente ensarte una parte nueva No.10 con las partes No.2, No.3 y No.11 instaladas dentro de las partes No.12 y No.13.
8. Aplique la parte No.6 a las roscas de la parte No.4 e instale la parte No.4 hasta que este apretada y las partes No.7, 8,12 y/o 13 gire suavemente.

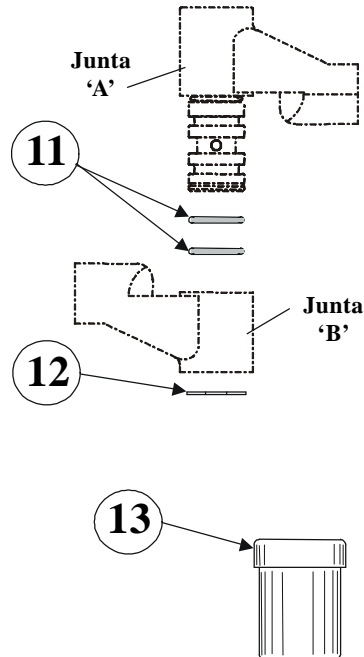
Nota: El estuche de reparo B-0114-RK fue hecho para el uso del “estilo viejo” del diseño de T&S Knuckle. Si se requiere partes para el “estilo nuevo”, comuníquese con T&S servicio al cliente para los números correctos.

Instrucciones Para Estuches De Reparación

Para unidades de enjuagar 010180-40

Reparo de junta de chanela:

1. Con alicates para argollas retenedoras, Remueva y arroje la parte No. **12** de cada chanela en la parte No. **3**.
2. Deslice la chanela 'B' de el tubo. Remueva la parte No. **11** y arroje, luego limpie las partes e inspeccione por danos. Si existen rayones profundos, la parte tendrá que ser reemplazada.
3. Aplique una delgada capa de la parte No. **13** a el tubo. En el tubo arme la parte nueva No. **11** y aplique una delgada capa de la No. **13** en la parte No. **11**.
4. Reemplaze las chanelas e instale la parte nueva No. **12**.
5. Ensamble de nuevo la unidad e inspeccione por filtraciones.



Mantenimiento:

Ensamble de extensión

1. Afloje los dos tornillos en el soporte B-0109-01.
2. Destornille la parte No. **9** de la parte No. **3**. Desarme la parte No. **5** de la parte No. **6**.
3. Afloje la parte No. **8** en la parte No. **4**. Cuidadosamente deslice los componentes de la parte No. **5**.
4. Inspeccione la parte No. **5** por danos. Inspeccione el resorte por grietas. Reemplazelo si es necesario. Aplique de la parte No. **13** a la No. **11** y arme de nuevo.
5. Arme de nuevo la parte No. **5** en la parte No. **6** y aprete con una llave.
6. Apretre los tornillos de soporte B-0109-01.
7. Conecte la tubería principal e inspeccione or filtraciones.



**B-0114
PRE-RINSE UNIT
W/DECKMOUNTED
FAUCET**

T&S BRASS AND BRONZE WORKS, INC.

A firm commitment to application-engineered plumbing products

2 Saddleback Cove, P.O. Box 1088,
Travelers Rest, SC 29690

Phone: (864) 834-4102

Fax: (864) 834-3518

E-mail: tsbrass@tsbrass.com

T & S Brass-Europe

'De Veenhoeve'

Oude Nieuwveenseweg 84

2441 CW Nieuwveen

The Netherlands



RELIABILITY BUILT IN™