

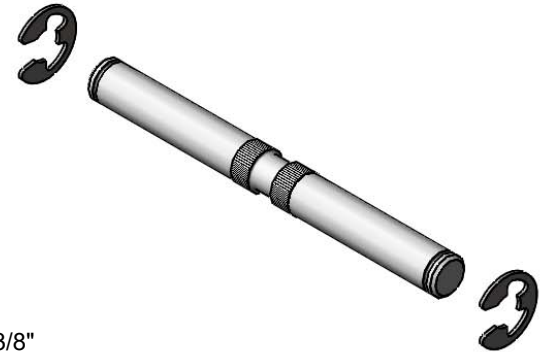
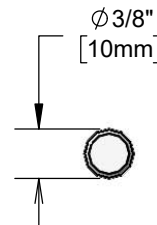
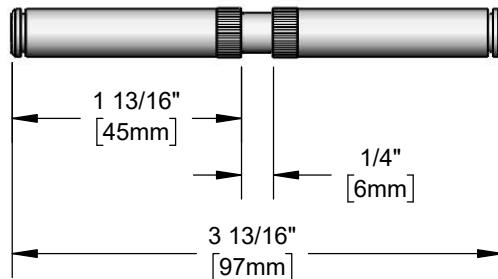


Double Pedal Valve Shaft & E-Clip

Architect/Engineering Specifications:

Rough chrome plated double pedal valve shaft and e-clip retaining rings.

Job Name _____
 Model Specified _____ Quantity _____
 Variations Specified _____
 Date _____



Features & Benefits:

- Rough chrome plated double pedal valve shaft
- Straight knurls
- (2) E-clip retaining rings
- Material: Rough chrome plated brass

Product Compliance:

- N/A

Warranty: One Year (Limited)

Performance Data:

- N/A

